

- XC-X8G3-MTP-X8G3-IPASS
MTP adapter

Ximea accessories ●
Technical Manual ●
Version v240830 ●

Introductions

About this manual

Dear customer,

Thank you for purchasing a product from XIMEA.

We hope that this manual can answer your questions, but should you have any further queries or if you wish to claim a service or warranty case, please contact your local dealer or refer to XIMEA Support on our website:

www.ximea.com/support

The purpose of this document is to provide a description of Ximea accessories and to describe the correct way to install related software, drivers and run it successfully. Please read this manual thoroughly before operating your new Ximea accessories for the first time. Please follow all instructions and observe the warnings.

This document is subject to change without notice.

About XIMEA

XIMEA is one of the worldwide leaders for innovative camera solutions with a 30-year history of research, development and production of digital image acquisition systems. Based in Slovakia, Germany and the US, with a global distributor network, XIMEA offers their cameras worldwide. In close collaboration with customers XIMEA has developed a broad spectrum of technologies and cutting-edge, highly competitive products.

XIMEA's camera centric technology portfolio comprises a broad spectrum of digital technologies, from data interfaces such as USB 2.0, USB 3.1 and PCIe to cooled digital cameras with CCD, CMOS and sCMOS sensors, as well as X-ray cameras.

XIMEA has three divisions – generic machine vision and integrated vision systems, scientific imaging and OEM/custom.

Our broad portfolio of cameras includes thermally stabilized astronomy and x-ray cameras, as well as specialty cameras for medical applications, research, surveillance and defense.

Contact XIMEA

XIMEA is a worldwide operating company

Headquarters, Sales worldwide

XIMEA GmbH
Am Mittelhafen 16
48155 Münster
Germany

Tel: +49 (251) 202 408-0
Fax: +49 (251) 202 408-99

Web www.ximea.com
General inquiries info@ximea.com
Sales sales@ximea.com
Support [XIMEA Support](#)

Sales America

XIMEA Corp.
12600 W Colfax Ave., Suite A-130
Lakewood, CO 80215
USA

Tel: +1 (303) 389-9838
Fax: +1 (303) 202-6350

R&D, Production

XIMEA s.r.o.
Lesná 52
900 33 Marianka
Slovakia

Tel: +421 (2) 205 104 26
Fax: +421 (2) 205 104 27

Contents

About this manual	2
About XIMEA	2
Contact XIMEA	2
1 General description	4
2 Dimensional drawings	5
3 Connectors	6
3.1 Location of connectors	6
4 Quickstart guide	7
4.1 Hardware setup	7
4.1.1 Essential components	7
4.1.2 Connecting the components	7
List of figures	8
List of tables	9

1 General description

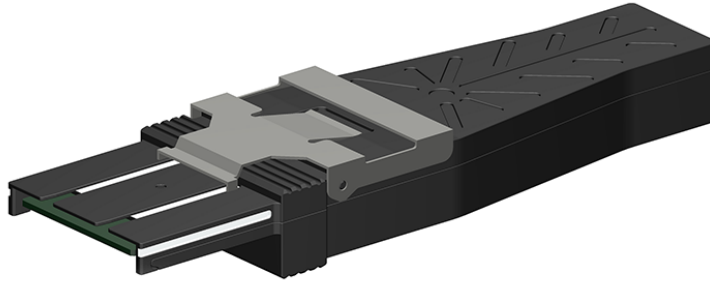


Figure 1: isometric view of XC-X8G3-MTP-X8G3-IPASS

- PCIe Gen.3 x8 iPass to MTP converter
- Link Speed 64 Gb/s

Adapter for connection of iPass camera port to MTP fiber optics cable. Then PCUO cable (from Samtec) can be used between two MTP connectors can be used as connection. The cage (XCable housing) has been designed with standard MTP 10 cm cable.

XC-X8G3-MTP-X8G3-IPASS can be used with [xiB-64](#) camera series and [xSWITCH](#).

2 Dimensional drawings

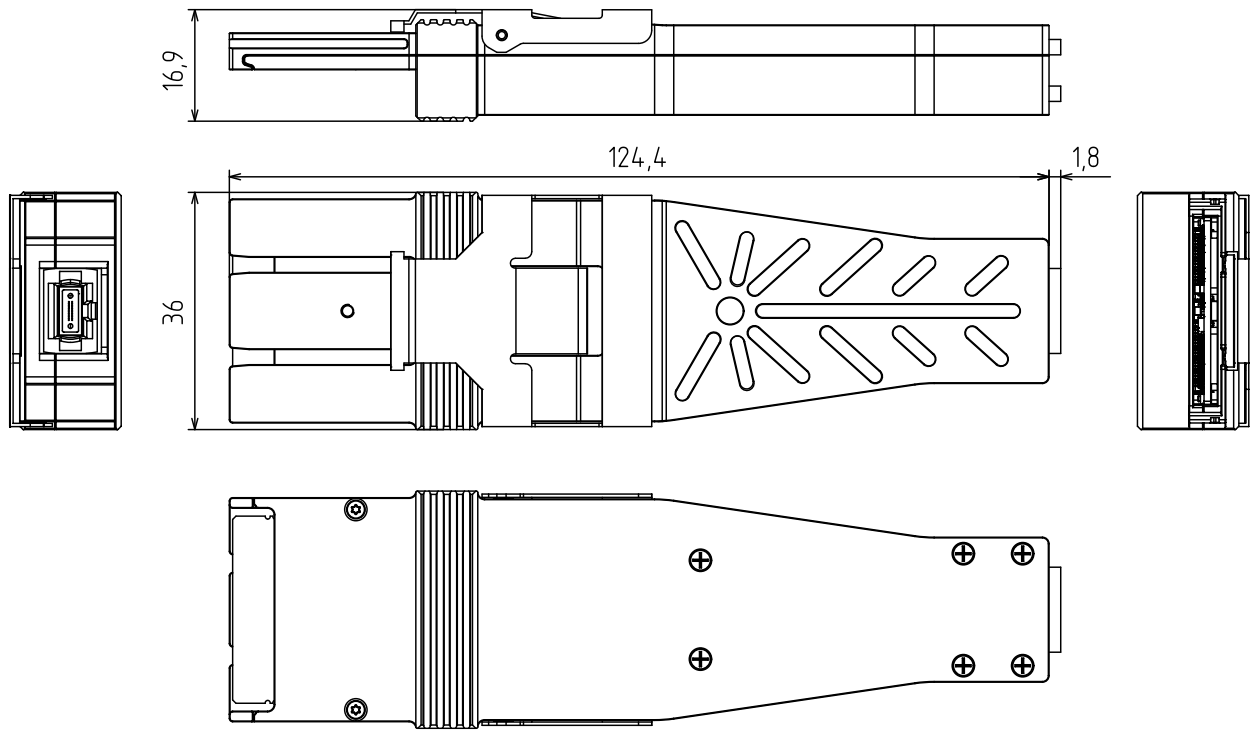


Figure 2: dimensional drawing of XC-X8G3-MTP-X8G3-IPASS

Width [W]	Height [H]	Depth [D]	Mass [M]
36 mm	126.2 mm	16.9 mm	85.4 g

Table 1: mechanical parameters of XC-X8G3-MTP-X8G3-IPASS

3 Connectors

3.1 Location of connectors

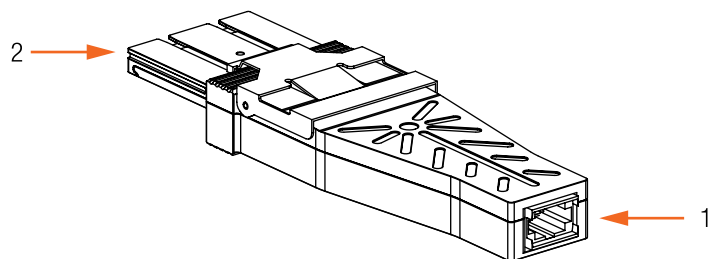


Figure 3: XC-X8G3-MTP-X8G3-IPASS connectors location

Num.	Connector
1	MTP optical connector (X8G3)
2	IPASS PCIe connector (X8G3)

Table 2: connectors location

4 Quickstart guide

4.1 Hardware setup

4.1.1 Essential components

- a camera
- host PC
- adapter (XC-X8G3-MTP-X8G3-IPASS)
- host adapter
- MTP fiber optic cables (e.g. CBL-MTP-X8G3-FF-10M0)

4.1.2 Connecting the components

This accessory can be used as an end-connecting component for the camera as well as an end-connecting component for the computer (see Step 3. and Step 4., Options A / B below).

- Step 1.** Ensure the PC is turned off and unplugged from the power source and then deploy the host adapter to the PC
- Step 2.** Connect the MTP cable to the XC-X8G3-MTP-X8G3-IPASS adapter
- Step 3.** Option A: Connect the MTP cable to the computer
Option B: Connect the MTP cable to the connected device (e.g., the camera)
- Step 4.** Option A: Connect the PCIe side of the adapter to the connected device (e.g., the camera)
Option B: Connect the PCIe side of the adapter to the computer
- Step 5.** Power up the PC

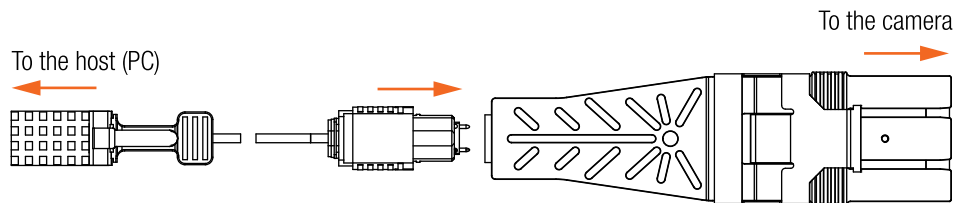


Figure 4: connecting steps

For more information about XC-X8G3-MTP-X8G3-IPASS please contact: sales@ximea.com.

List of Figures

1	isometric view of XC-X8G3-MTP-X8G3-IPASS	4
2	dimensional drawing of XC-X8G3-MTP-X8G3-IPASS	5
3	XC-X8G3-MTP-X8G3-IPASS connectors location	6
4	connecting steps.....	7



List of Tables

1	mechanical parameters of XC-X8G3-MTP-X8G3-IPASS	5
2	connectors location	6



