

- **XC-X8G3-SFF-X8G3-IPASS**
SFF Converter

- Ximea accessories
- Technical Manual
- Version v240830

Introductions

About this manual

Dear customer,

Thank you for purchasing a product from XIMEA.

We hope that this manual can answer your questions, but should you have any further queries or if you wish to claim a service or warranty case, please contact your local dealer or refer to XIMEA Support on our website:

www.ximea.com/support

The purpose of this document is to provide a description of Ximea accessories and to describe the correct way to install related software, drivers and run it successfully. Please read this manual thoroughly before operating your new Ximea accessories for the first time. Please follow all instructions and observe the warnings.

This document is subject to change without notice.

About XIMEA

XIMEA is one of the worldwide leaders for innovative camera solutions with a 30-year history of research, development and production of digital image acquisition systems. Based in Slovakia, Germany and the US, with a global distributor network, XIMEA offers their cameras worldwide. In close collaboration with customers XIMEA has developed a broad spectrum of technologies and cutting-edge, highly competitive products.

XIMEA's camera centric technology portfolio comprises a broad spectrum of digital technologies, from data interfaces such as USB 2.0, USB 3.1 and PCIe to cooled digital cameras with CCD, CMOS and sCMOS sensors, as well as X-ray cameras.

XIMEA has three divisions – generic machine vision and integrated vision systems, scientific imaging and OEM/custom.

Our broad portfolio of cameras includes thermally stabilized astronomy and x-ray cameras, as well as specialty cameras for medical applications, research, surveillance and defense.

Contact XIMEA

XIMEA is a worldwide operating company

Headquarters, Sales worldwide

XIMEA GmbH
Am Mittelhafen 16
48155 Münster
Germany

Tel: +49 (251) 202 408-0
Fax: +49 (251) 202 408-99

Web www.ximea.com
General inquiries info@ximea.com
Sales sales@ximea.com
Support [XIMEA Support](#)

Sales America

XIMEA Corp.
12600 W Colfax Ave., Suite A-130
Lakewood, CO 80215
USA

Tel: +1 (303) 389-9838
Fax: +1 (303) 202-6350

R&D, Production

XIMEA s.r.o.
Lesná 52
900 33 Marianka
Slovakia

Tel: +421 (2) 205 104 26
Fax: +421 (2) 205 104 27

Contents

About this manual	2
About XIMEA	2
Contact XIMEA	2
1 General description	4
2 Dimensional drawings	5
3 Connectors	6
3.1 Location of connectors	6
4 Quickstart guide	7
4.1 Hardware setup	7
4.1.1 Essential components	7
4.1.2 Connecting the components	7
List of figures	8
List of tables	9

1 General description

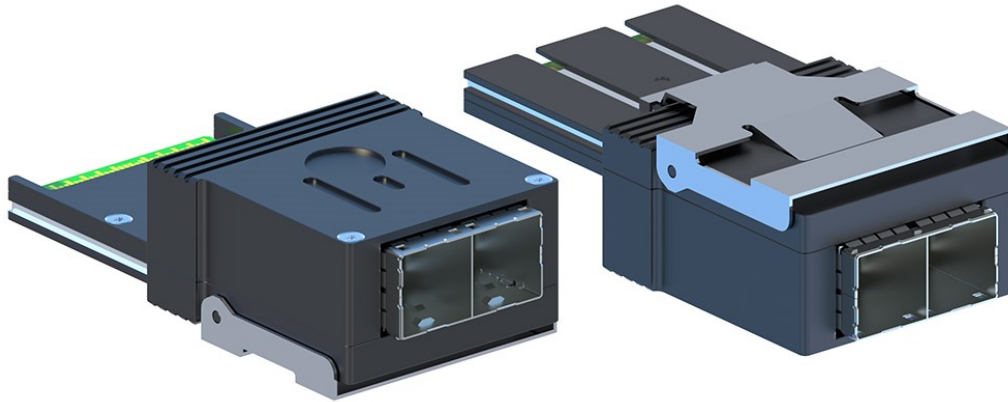


Figure 1: isometric view of XC-X8G3-SFF-X8G3-IPASS

- Adapter connecting iPass X8 target interface to SFF-8644 host interface
- PCIe Gen3 x8 bandwidth with a link speed of 64 Gb/s
- For use with **xiB-64** camera series or **xSWITCH** devices (equipped with iPass X8 connector)

2 Dimensional drawings

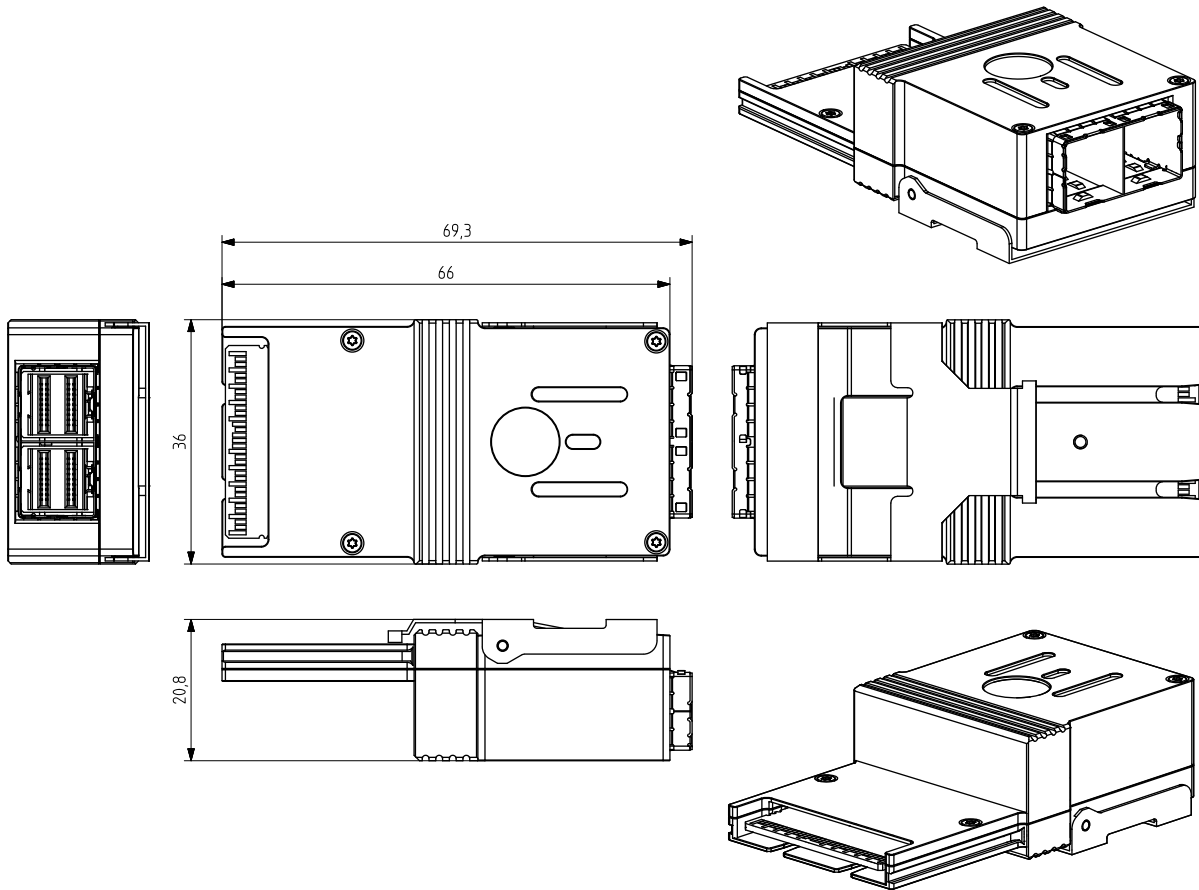


Figure 2: dimensions of converter

Width [W]	Height [H]	Depth [D]	Mass [M]	Material
36 mm	20.8 mm	69.3 mm	57.7 g	Machined Aluminum alloy

Table 1: mechanical parameters

3 Connectors

3.1 Location of connectors

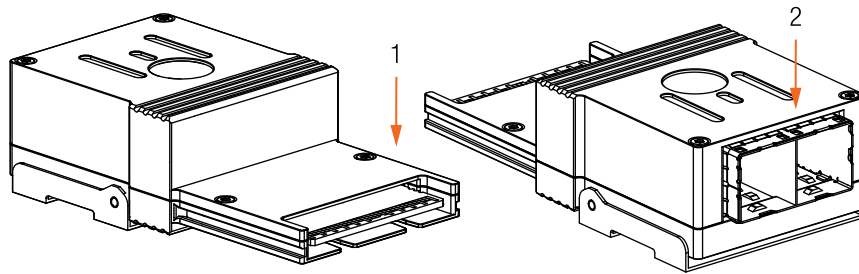


Figure 3: XC-X8G3-SFF-X8G3-IPASS connector location

num.	connector
1	1x iPass X8 PCIe
2	2x ports for SFF-8644 (marked A and B)

Table 2: connectors

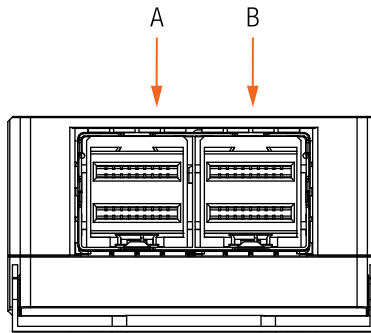


Figure 4: SFF connector ports

4 Quickstart guide

4.1 Hardware setup

4.1.1 Essential components

- Host PC with a supported SFF host adapter card installed (e.g. Ximea HA-2P-X4G3-SFF-X8G3)
- SFF-8644 fiber optic cables (e.g. Ximea CBL-SFF-X4G3-10M0)
- Any xiB-64 camera or xSwitch

4.1.2 Connecting the components

Make sure the DIP switches on the host adapter card are in position for x8 port.

Step 1. Connect SFF-8644 fiber optic cables to the XC-X8G3-SFF-X8G3-IPASS

Step 2. Connect the cable from the port A on the host adapter to the port A on the XC-X8G3-SFF-X8G3-IPASS
Connect the cable from the port B on the host adapter to the port B on the XC-X8G3-SFF-X8G3-IPASS

Step 3. Connect XC-X8G3-SFF-X8G3-IPASS to the the xiB-64 camera

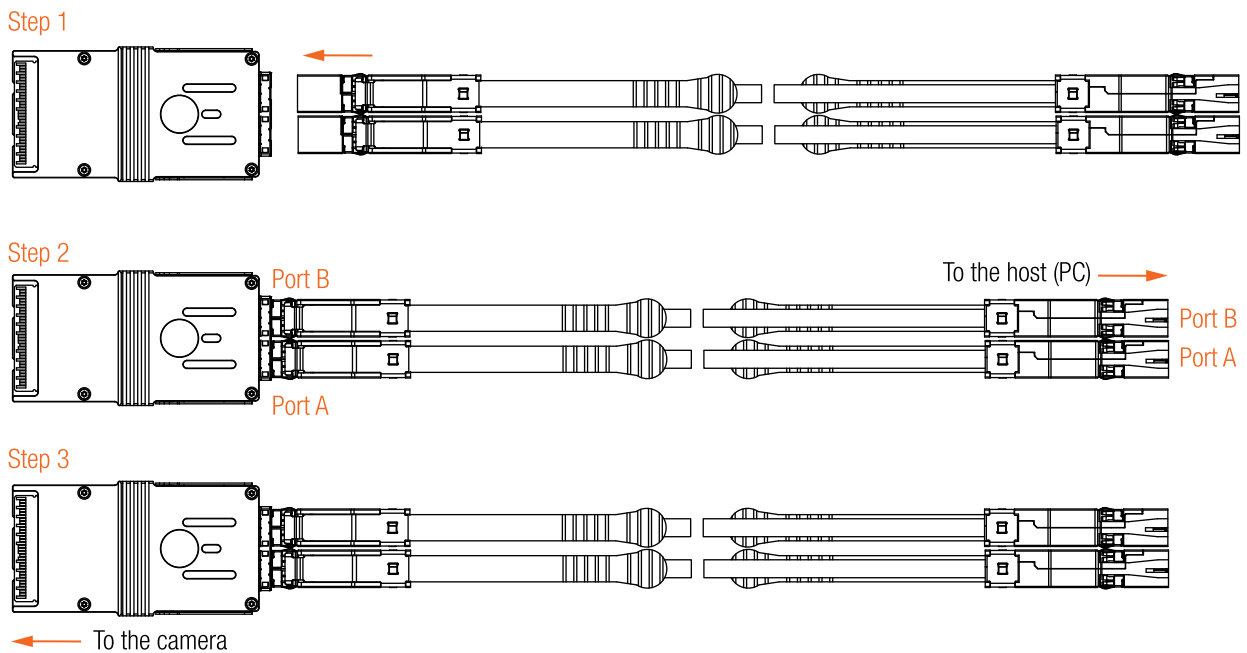


Figure 5: connecting steps

For more information about XC-X8G3-SFF-X8G3-IPASS please contact: sales@ximea.com.

List of Figures

1	isometric view of XC-X8G3-SFF-X8G3-IPASS	4
2	dimensions of converter.....	5
3	XC-X8G3-SFF-X8G3-IPASS connector location	6
4	SFF connector ports	6
5	connecting steps.....	7



List of Tables

1	mechanical parameters	5
2	connectors	6



