



- **LA-E-MNT-60MM-KIT**
Lens mount adapter

Ximea accessories •
Technical Manual •
Version v240830 •

Introductions

About this manual

Dear customer,

Thank you for purchasing a product from XIMEA.

We hope that this manual can answer your questions, but should you have any further queries or if you wish to claim a service or warranty case, please contact your local dealer or refer to XIMEA Support on our website:

www.ximea.com/support

The purpose of this document is to provide a description of Ximea accessories and to describe the correct way to install related software, drivers and run it successfully. Please read this manual thoroughly before operating your new Ximea accessories for the first time. Please follow all instructions and observe the warnings.

This document is subject to change without notice.

About XIMEA

XIMEA is one of the worldwide leaders for innovative camera solutions with a 30-year history of research, development and production of digital image acquisition systems. Based in Slovakia, Germany and the US, with a global distributor network, XIMEA offers their cameras worldwide. In close collaboration with customers XIMEA has developed a broad spectrum of technologies and cutting-edge, highly competitive products.

XIMEA's camera centric technology portfolio comprises a broad spectrum of digital technologies, from data interfaces such as USB 2.0, USB 3.1 and PCIe to cooled digital cameras with CCD, CMOS and sCMOS sensors, as well as X-ray cameras.

XIMEA has three divisions – generic machine vision and integrated vision systems, scientific imaging and OEM/custom.

Our broad portfolio of cameras includes thermally stabilized astronomy and x-ray cameras, as well as specialty cameras for medical applications, research, surveillance and defense.

Contact XIMEA

XIMEA is a worldwide operating company

Headquarters, Sales worldwide

XIMEA GmbH
Am Mittelhafen 16
48155 Münster
Germany

Tel: +49 (251) 202 408-0
Fax: +49 (251) 202 408-99

Web

General inquiries
Sales
Support

www.ximea.com
info@ximea.com
sales@ximea.com
XIMEA Support

Sales America

XIMEA Corp.
12600 W Colfax Ave., Suite A-130
Lakewood, CO 80215
USA

Tel: +1 (303) 389-9838
Fax: +1 (303) 202-6350

R&D, Production

XIMEA s.r.o.
Lesná 52
900 33 Marianka
Slovakia

Tel: +421 (2) 205 104 26
Fax: +421 (2) 205 104 27

Contents

About this manual	2
About XIMEA	2
Contact XIMEA	2
1 General description	4
2 Dimensional drawings	5
3 Usages	6
4 Additional information	7
4.1 Optical path	7
4.2 Screws	7
List of figures	9
List of tables	10

1 General description



Figure 1: isometric view of lens adapter

E-mount Lens Adapter for xiB-64, xiB and xiX cameras.

- Passive E-mount Lens Adapter
- Comes with a protection cap
- Use 4x SLH-M4-6-SD or DIN912 M4 6 mm screws to attach to camera
- Nominal flange focal distance to active sensor area: 18.00 mm + - 0.2 mm
- Measures: 59 × 59 × 11.80 mm
- Material: Machined Aluminum alloy, anodized to black color
- Weight 26 g

2 Dimensional drawings

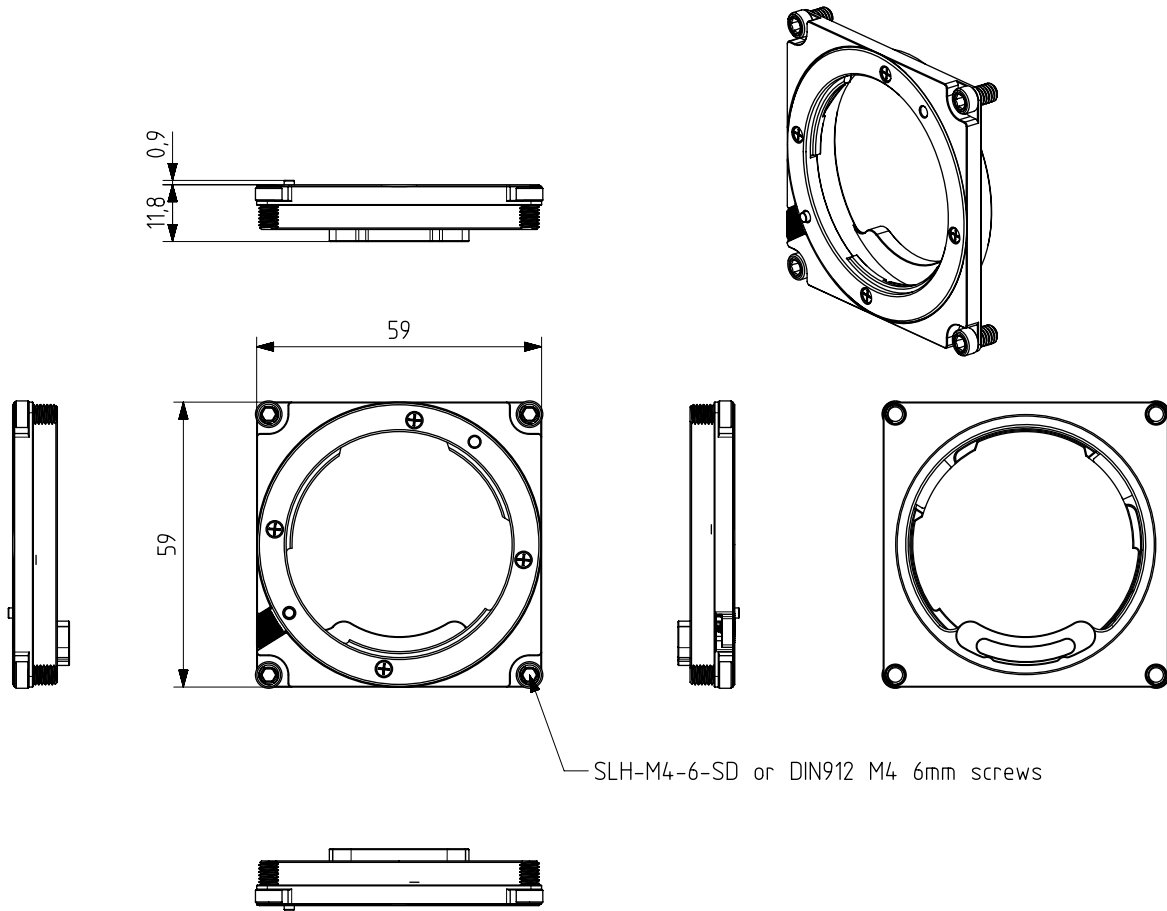


Figure 2: dimensional drawing of lens adapter

Width [W]	Height [H]	Depth [D]	Mass [M]	C Material
59 mm	59 mm	11.8 mm	26 g	Machined Aluminum alloy

Table 1: parameters of lens mount adapter

3 Usages

The adapter is mounted to the camera using 4x SLH-M4-6-SD or DIN912 M4 6 mm screws.

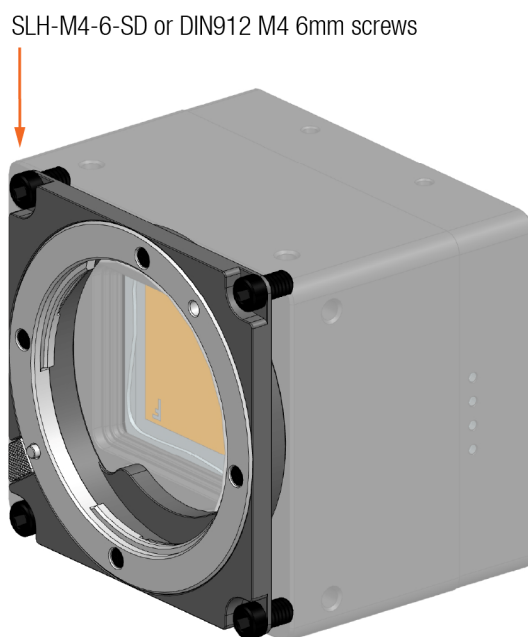


Figure 3: mounting adapter LA-E-MNT-60MM-KIT

4 Additional information

4.1 Optical path

Flange focal distance is 18.04 mm geometrical (18.00 mm optical)

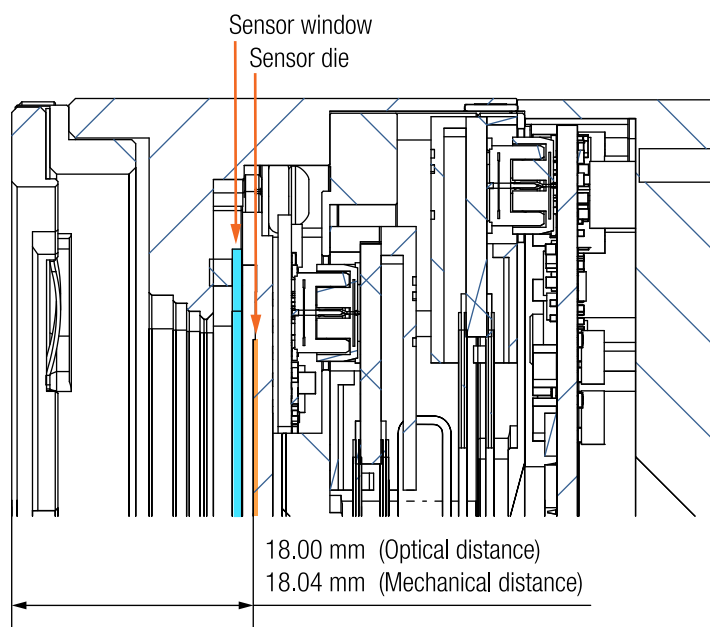


Figure 4: optical path camera with LA-E-MNT-60MM-KIT lens mount adapter

4.2 Screws

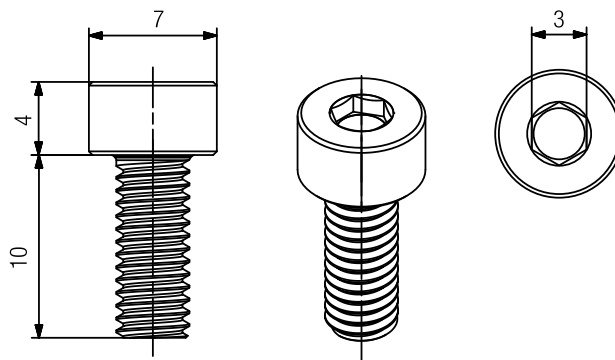


Figure 5: M4 mounting screws

Item	Value
Material	Stainless steel
Surface	Polished
Thread	M4 Full thread
Driver	INBUS 3.0
Avail. lengths	6 to 40 mm

Table 2: M4 screw description

For more information about LA-E-MNT-60MM-KIT please contact: sales@ximea.com.



List of Figures

1	isometric view of lens adapter	4
2	dimensional drawing of lens adapter	5
3	mounting adapter LA-E-MNT-60MM-KIT	6
4	optical path camera with LA-E-MNT-60MM-KIT lens mount adapter	7
5	M4 mounting screws	7

List of Tables

1	parameters of lens mount adapter	5
2	M4 screw description	7



