

- XC-X4G3-SFF-X4G3-IPASS  
SFF Converter

Ximea accessories ●  
Technical Manual ●  
Version v240830 ●

# Introductions

## About this manual

Dear customer,

Thank you for purchasing a product from XIMEA.

We hope that this manual can answer your questions, but should you have any further queries or if you wish to claim a service or warranty case, please contact your local dealer or refer to XIMEA Support on our website:

[www.ximea.com/support](http://www.ximea.com/support)

The purpose of this document is to provide a description of Ximea accessories and to describe the correct way to install related software, drivers and run it successfully. Please read this manual thoroughly before operating your new Ximea accessories for the first time. Please follow all instructions and observe the warnings.

This document is subject to change without notice.

## About XIMEA

XIMEA is one of the worldwide leaders for innovative camera solutions with a 30-year history of research, development and production of digital image acquisition systems. Based in Slovakia, Germany and the US, with a global distributor network, XIMEA offers their cameras worldwide. In close collaboration with customers XIMEA has developed a broad spectrum of technologies and cutting-edge, highly competitive products.

XIMEA's camera centric technology portfolio comprises a broad spectrum of digital technologies, from data interfaces such as USB 2.0, USB 3.1 and PCIe to cooled digital cameras with CCD, CMOS and sCMOS sensors, as well as X-ray cameras.

XIMEA has three divisions – generic machine vision and integrated vision systems, scientific imaging and OEM/custom.

Our broad portfolio of cameras includes thermally stabilized astronomy and x-ray cameras, as well as specialty cameras for medical applications, research, surveillance and defense.

## Contact XIMEA

XIMEA is a worldwide operating company

Headquarters, Sales worldwide

XIMEA GmbH  
Am Mittelhafen 16  
48155 Münster  
Germany

Tel: +49 (251) 202 408-0  
Fax: +49 (251) 202 408-99

Web [www.ximea.com](http://www.ximea.com)  
General inquiries [info@ximea.com](mailto:info@ximea.com)  
Sales [sales@ximea.com](mailto:sales@ximea.com)  
Support [XIMEA Support](#)

Sales America

XIMEA Corp.  
12600 W Colfax Ave., Suite A-130  
Lakewood, CO 80215  
USA

Tel: +1 (303) 389-9838  
Fax: +1 (303) 202-6350

R&D, Production

XIMEA s.r.o.  
Lesná 52  
900 33 Marianka  
Slovakia

Tel: +421 (2) 205 104 26  
Fax: +421 (2) 205 104 27

# Contents

About this manual .....	2
About XIMEA .....	2
Contact XIMEA .....	2
<b>1 General description .....</b>	<b>4</b>
<b>2 Dimensional drawings .....</b>	<b>5</b>
<b>3 Connectors .....</b>	<b>6</b>
3.1 Location of connectors .....	6
<b>4 Additional information .....</b>	<b>7</b>
<b>5 Quickstart guide .....</b>	<b>8</b>
5.1 Hardware setup .....	8
5.1.1 Essential components .....	8
5.1.2 Connecting the components .....	8
List of figures .....	9
List of tables .....	10

## 1 General description



Figure 1: isometric view of XC-X4G3-SFF-X4G3-IPASS

- Adapter connecting target iPass X4 interface to SFF-8644 host
- PCIe Gen3 x4 bandwidth with a link speed of 32 Gb/s
- For use with **xiB** camera series or **xSWITCH** devices (equipped with iPass X4 connector)

## 2 Dimensional drawings

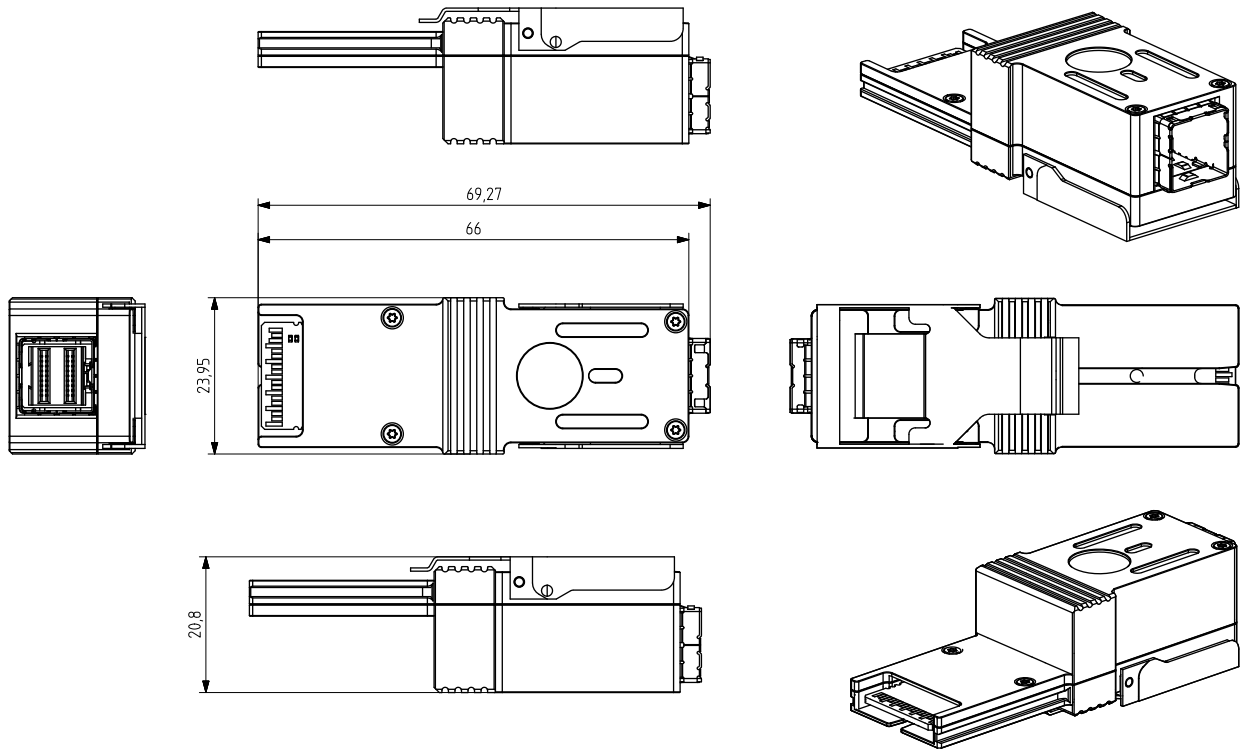


Figure 2: dimensional drawing of XC-X4G3-SFF-X4G3-IPASS

Width [ W ]	Height [ H ]	Depth [ D ]	Mass [ M ]	Material
24 mm	20.8 mm	69.3 mm	38 g	Machined Aluminum alloy

Table 1: mechanical parameters

### 3 Connectors

#### 3.1 Location of connectors

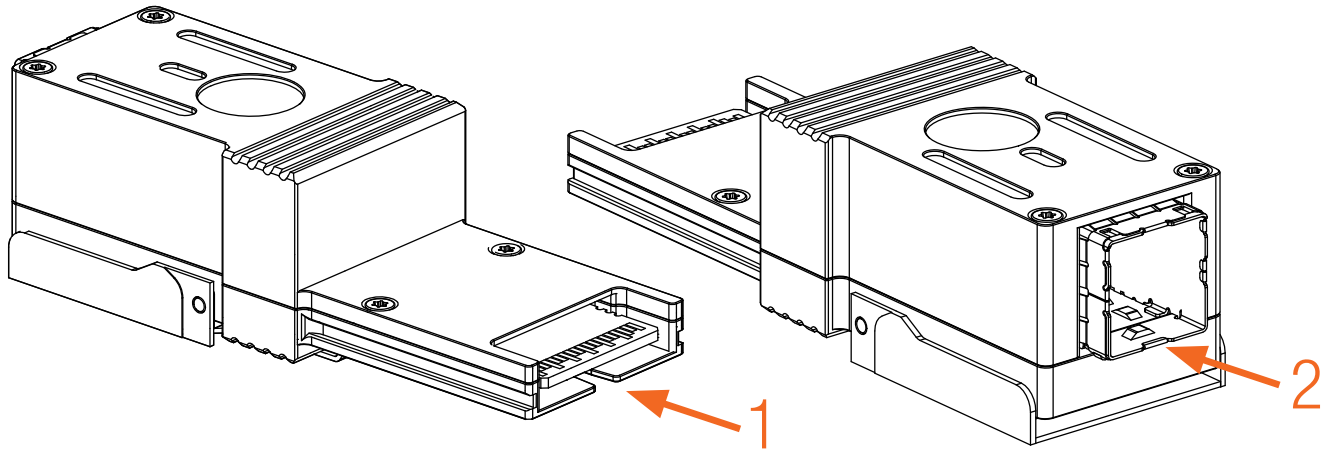


Figure 3: XC-X4G3-SFF-X4G3-IPASS connector location

num.	connector
1	1x iPass X4 PCIe
2	1x SFF port for SFF-8644

Table 2: connectors

## 4 Additional information

Optical SFF cables are compatible with all CB500 cameras and CB120/CB200 cameras starting from hardware revision 6.

## 5 Quickstart guide

### 5.1 Hardware setup

#### 5.1.1 Essential components

- Host PC with supported SFF host adapter card (e.g. Ximea HA-2P-X4G3-SFF-X4G3) inside
- SFF-8644 fiber optic cable (e.g. Ximea CBL-SFF-X4G3-10M0)
- any xiB camera

#### 5.1.2 Connecting the components

Make sure the DIP switches on the host adapter card are in position for x4 ports.

**Step 1.** Connect SFF-8644 fiber optic cable to the XC-X4G3-SFF-X4G3-IPASS

**Step 2.** Connect XC-X4G3-SFF-X4G3-IPASS to PC

**Step 3.** Connect XC-X8G3-SFF-X8G3-IPASS to the the xiB camera

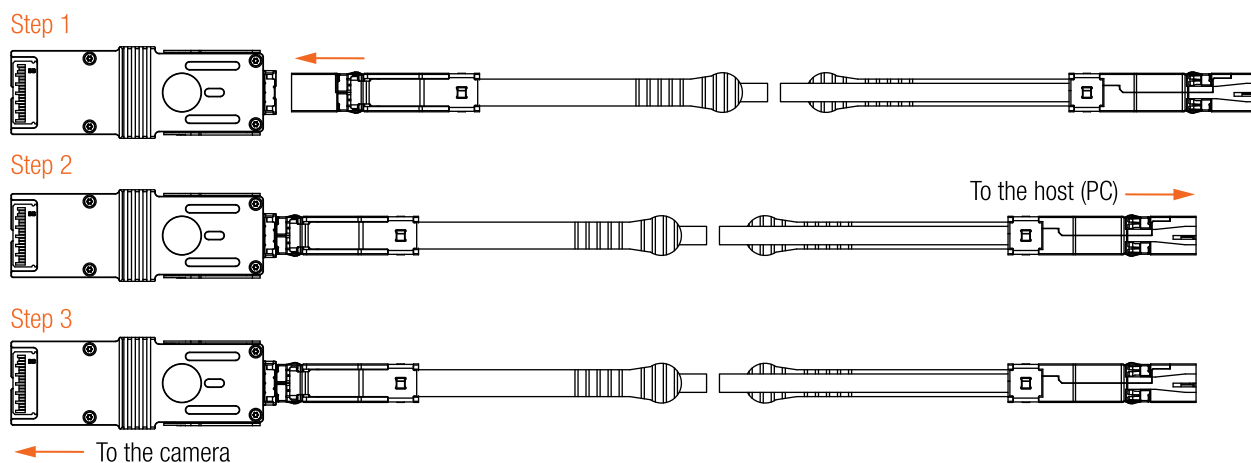


Figure 4: connecting steps

For more information about XC-X4G3-SFF-X4G3-IPASS please contact: [sales@ximea.com](mailto:sales@ximea.com).



# List of Figures

- 1 isometric view of XC-X4G3-SFF-X4G3-IPASS ..... 4
- 2 dimensional drawing of XC-X4G3-SFF-X4G3-IPASS ..... 5
- 3 XC-X4G3-SFF-X4G3-IPASS connector location ..... 6
- 4 connecting steps..... 8



# List of Tables

1	mechanical parameters .....	5
2	connectors .....	6



