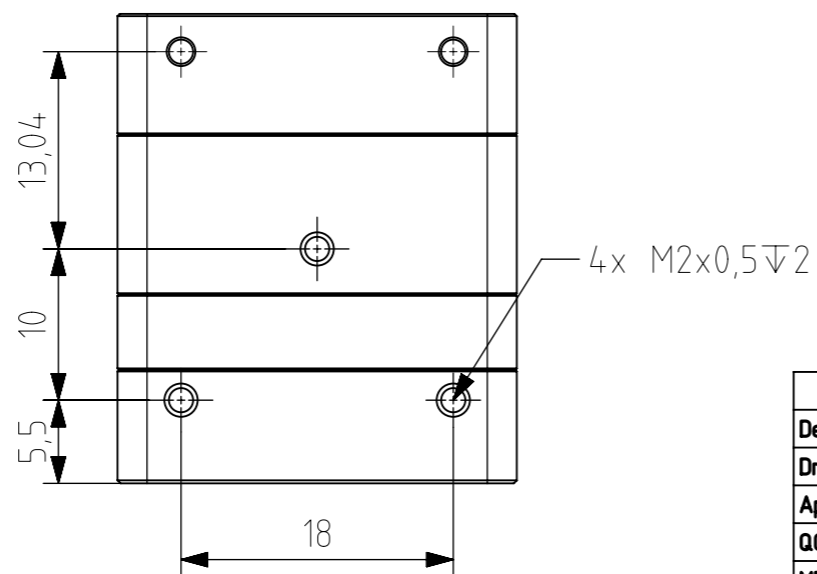
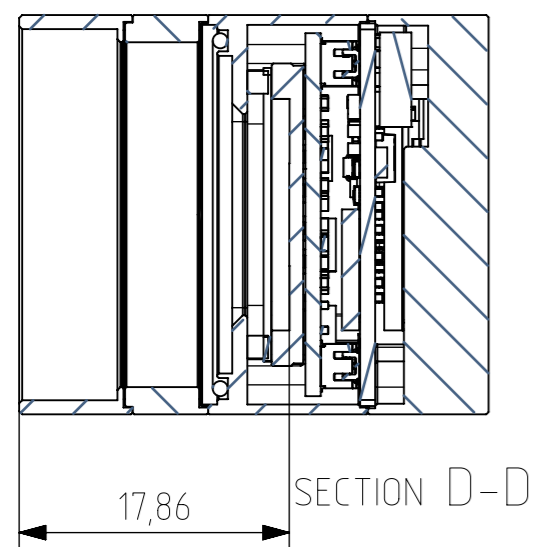


C-mount adapter (1"-32)



Date:	20231606	Name:	R&D	PN:	MXxxxxG-SY-PG4-FV	Customer PN:	NA	Surface Quality:	Ra
Designed	20231606	Drawn	20231213	GS		Material:		Surface Finish:	
Approved		QC		MFGP	PN MFG	First angle projection		Weight:	
Department:	R&D	Default tolerance:				Units:	mm	Scale:	2:1
						Doc Type:	EU	PART REVISION	01
						Document Nr:		DOCUMENT REVISION	A
								Format	A3
								Page:	1 of 1

This drawings is the property of XIMEA s.r.o. No use thereof shall be made other than as a reference for proposals as submitted to XIMEA s.r.o. for jobs to be executed in conformity with such proposals unless the consent of said XIMEA s.r.o. has previously been obtained. No part of this drawing shall be copied or duplicated or its contents disclosed. The information contained on this drawing is confidential and proprietary.

