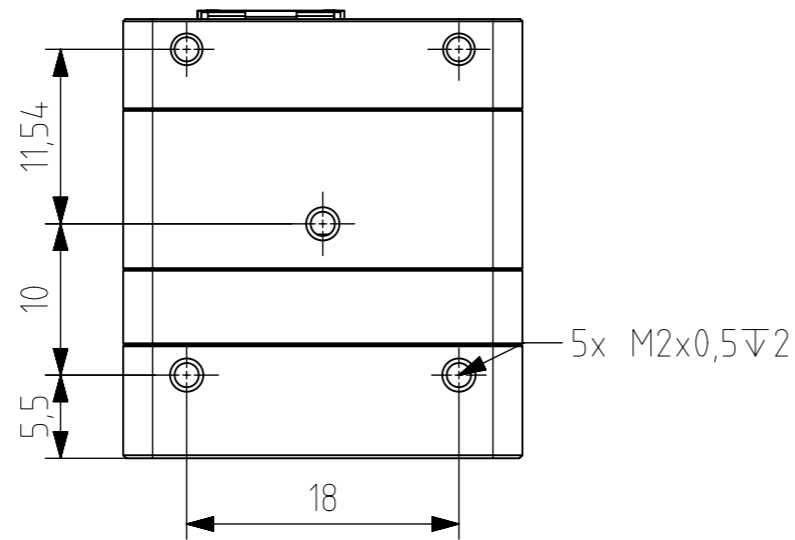
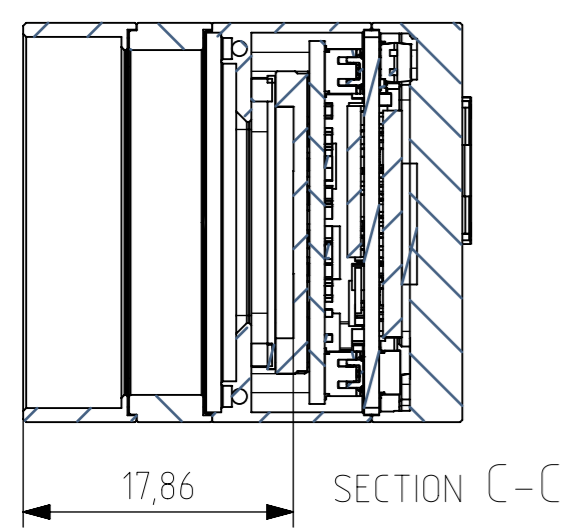
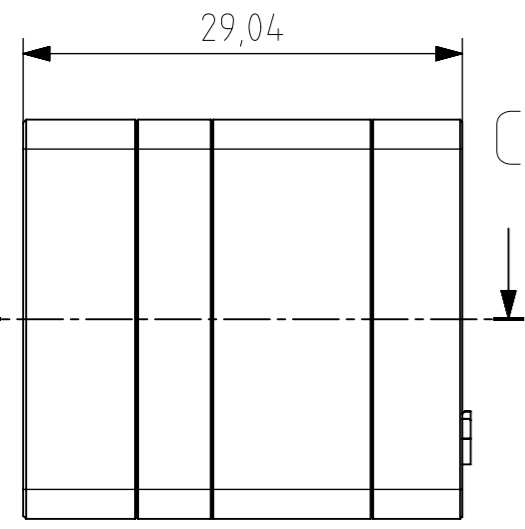


C-mount adapter (1''-32)



This drawings is the property of XIMEA s.r.o. No use thereof shall be made other than as a reference for proposals as submitted to XIMEA s.r.o. for jobs to be executed in conformity with such proposals unless the consent of said XIMEA s.r.o. has previously been obtained. No part of this drawing shall be copied or duplicated or its contents disclosed. The information contained on this drawing is confidential and proprietary.

Date:	20231606	Name:	R&D	PN:	MCXXXxG-SY-PG4-FV		Customer PN:	NA	Surface Quality:	Ra
Designed	20231606	Drawn	20231213	GS	PN MFG		Material:		Surface Finish:	
Approved		QC					First angle projection		Weight:	
MFGP		Department:	R&D	Default tolerance:			Units:	mm	Scale:	3:1
					Change	Date	Name	Doc Type:	PART REVISION	DOCUMENT REVISION
								EU	01	A
					Document Nr:					Page:
										1 of 1

