

1 2 3 4 5 6 7 8

A

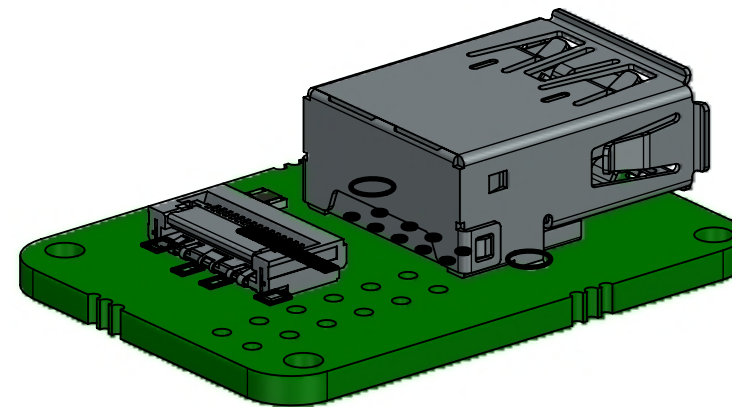
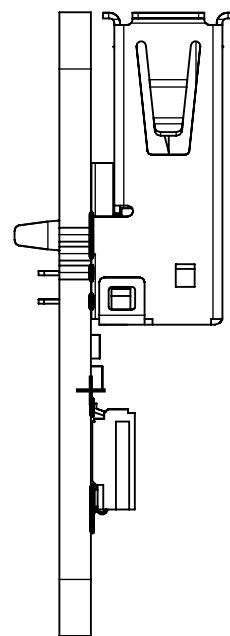
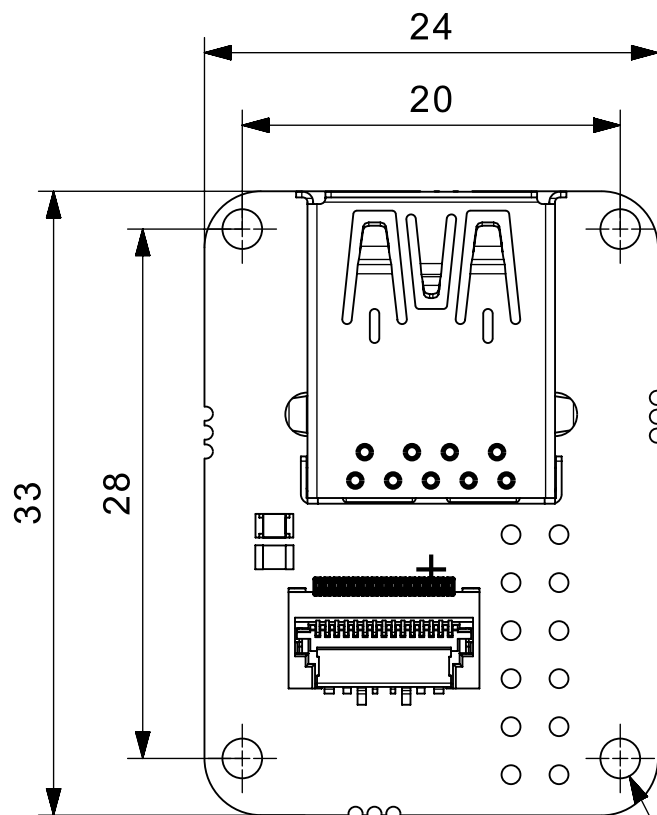
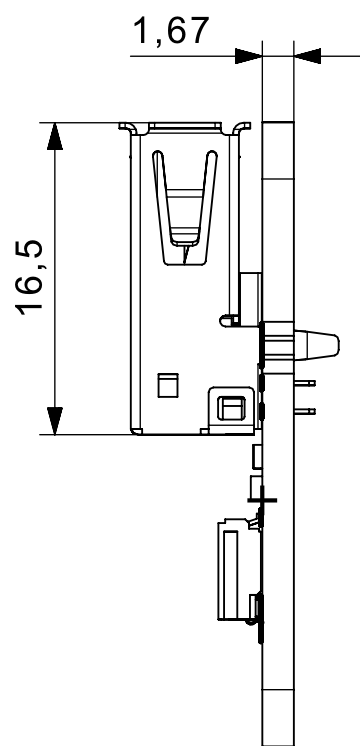
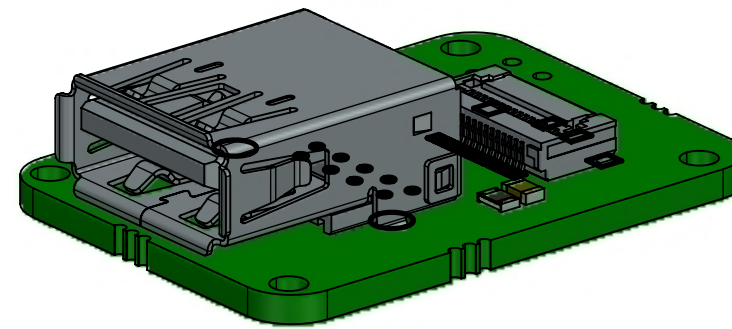
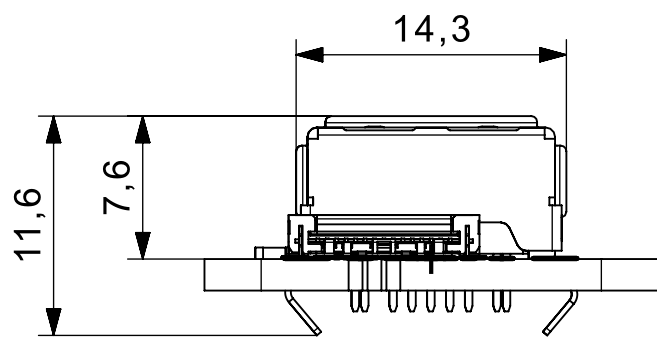
B

C

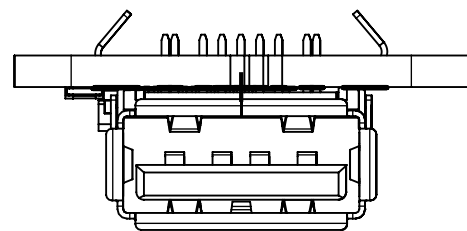
D

E

F



4x Ø2,1 ∇ thru



This drawings is the property of XIMEA s.r.o. No use thereof shall be made other than as a reference for proposals as submitted to XIMEA s.r.o. for jobs to be executed in conformity with such proposals unless the consent of said XIMEA s.r.o. has previously been obtained. No part of this drawing shall be copied or duplicated or its contents disclosed. The information contained on this drawing is confidential and proprietary.

Designed	2024.04.10	R&D	PN:	Customer PN:	Surface Quality:
Drawn	2024.04.10	VK	USB3FLEX-USBA-FL-PCA	NA	
Approved			PN MFG	Material:	Surface Finish:
QC			USB3FLEX-USBA-FL-PCA-REV01	Weight:	
MFGP					
Department:	R&D	Default tolerances:		Units:	Scale: 2,5:1
		DIN ISO 2768-T1	Change	mm	Format
			Date		A3
			Name	Doc Type:	Page:
				EU	1 OF 1
			Edges ISO 13715	PART REVISION	DOCUMENT REVISION
			Surface ISO 1302	01	A

01 VK 20240410 ORIGINAL PART



1 2 3 4 5 6 7 8