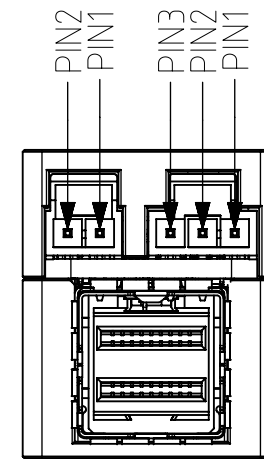
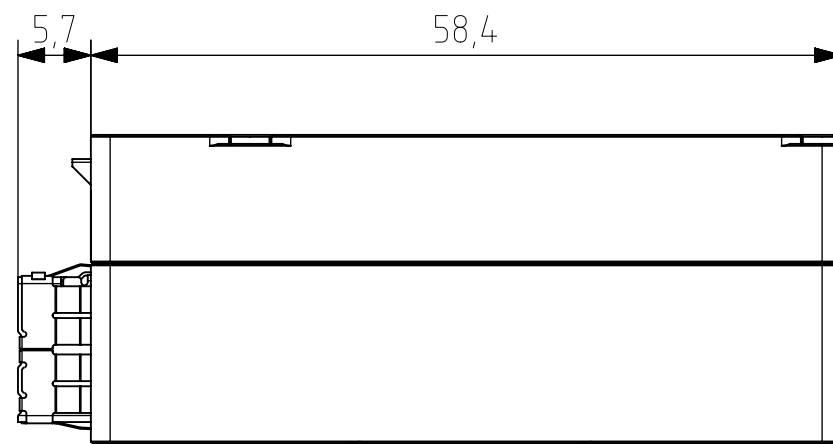
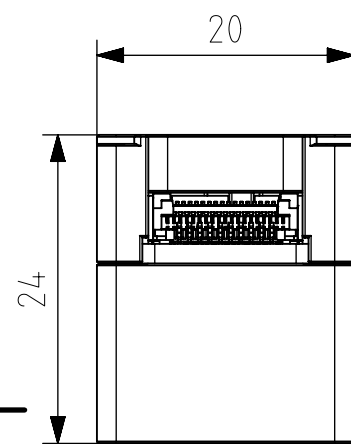
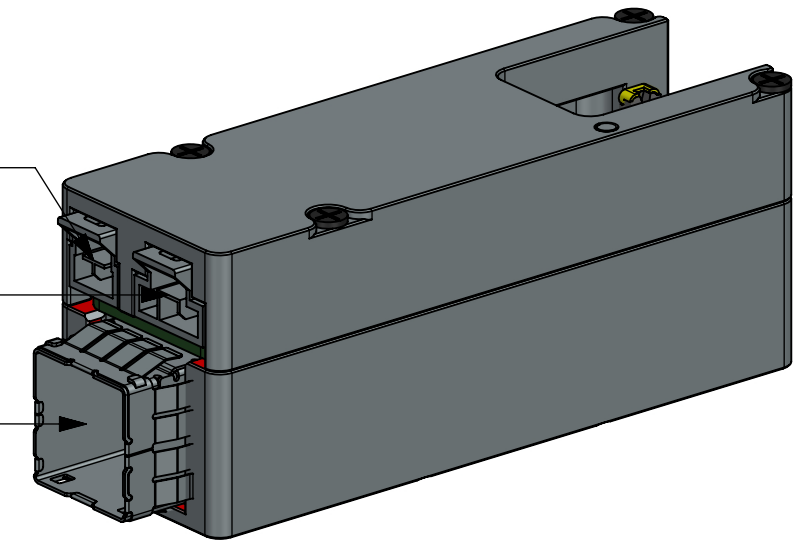


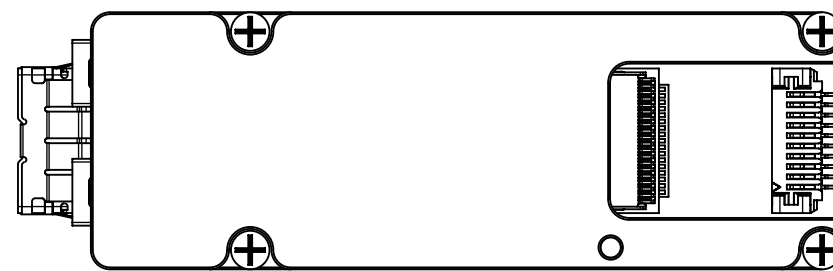
NanoFit 2pos Power Connector
1053131202

NanoFit 3pos IO Connector
1053131203

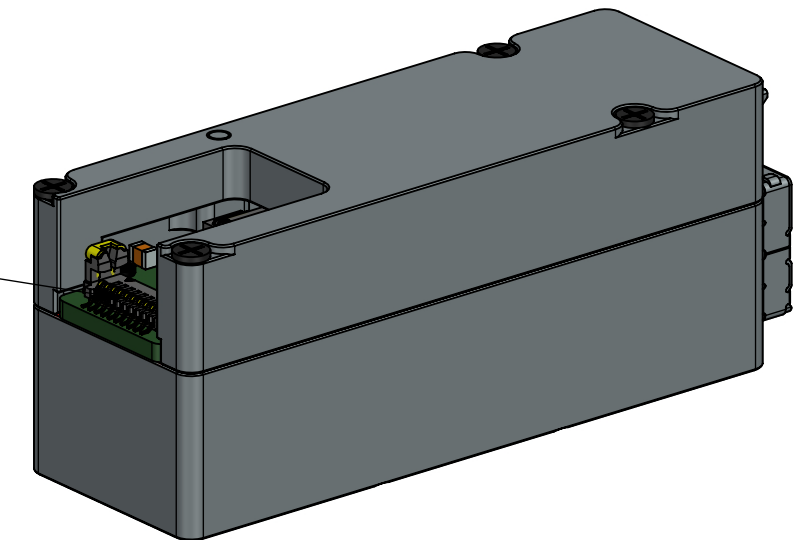
SFF connector



Power connector (2POS)	PIN1	PWR
	PIN2	GND
IO connector (3POS)	PIN1	ISO_GPI
	PIN2	ISO_GND
	PIN3	ISO_GPO



Firefly connector



This drawings is the property of XIMEA s.r.o. No use thereof shall be made other than as a reference for proposals as submitted to XIMEA s.r.o. for jobs to be executed in conformity with such proposals unless the consent of said XIMEA s.r.o. has previously been obtained. No part of this drawing shall be copied or duplicated or its contents disclosed. The information contained on this drawing is confidential and proprietary.

Designed	Date: 20230818	Name: R&D	PN: ADPT-1P-X4G3-FF-X4G3-SFF	Customer PN: NA	Surface Quality: Ra
Drawn	20230818	R&D		Material:	Surface Finish:
Approved			PN MFG	First angle projection	Weight:
QC					
MFGP					
Department: R&D	Default tolerance:			Units: mm	Scale: 1:7:1
		Change	Date	Name	Format: A3
		Document Nr:		Doc Type: EU	PART REVISION
					DOCUMENT REVISION: A
					Page: 1 of 1

