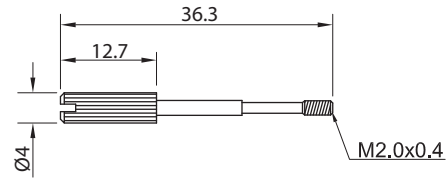
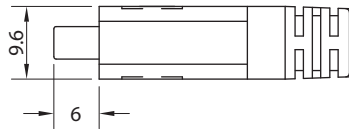
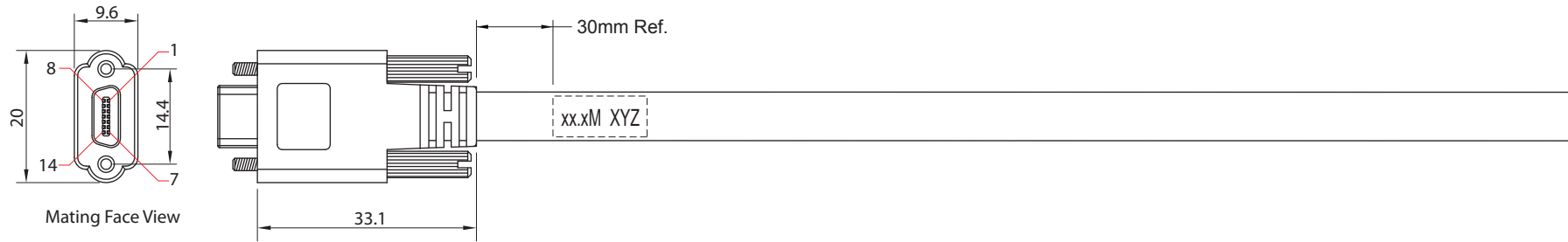


EVOLUTIONARY INTERCONNECTS



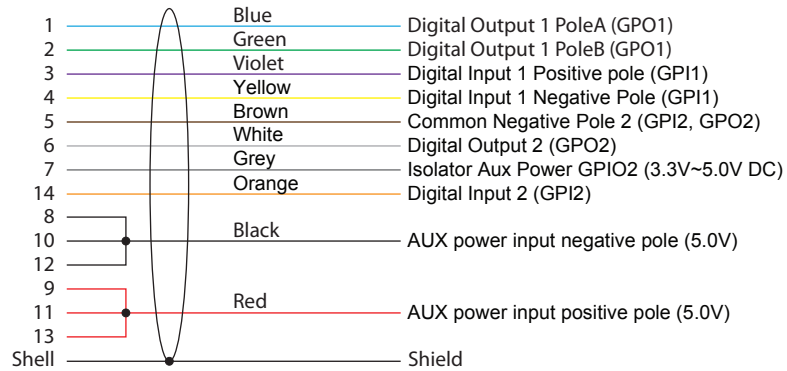
This document is the property of Alysium-Tech. It must not be copied or otherwise disclosed without prior written consent

RoHS COMPLIANT

BILL OF MATERIALS

Item	Description
1	CL Lite 14P Male Moulded Plug <IVORY> A85-5707 (HDR-E14MSG1+) 14P Male Plug Solder Type
2	A11-5884 [OD=6.3mm] <IVORY> UL20276 8C#28 + 2C#24 Digital Cable
3	Processed End - Flat Cut
4	Cable Label
5	Heat Sealed PE Bag

WIRING DIAGRAM



PACKAGING DETAIL

