

1 2 3 4 5 6 7 8

A

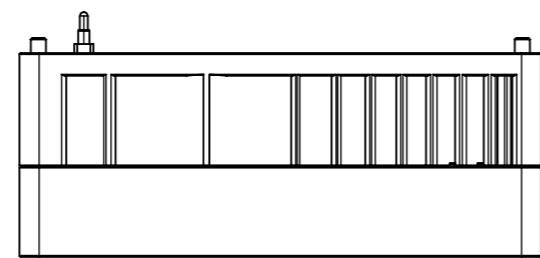
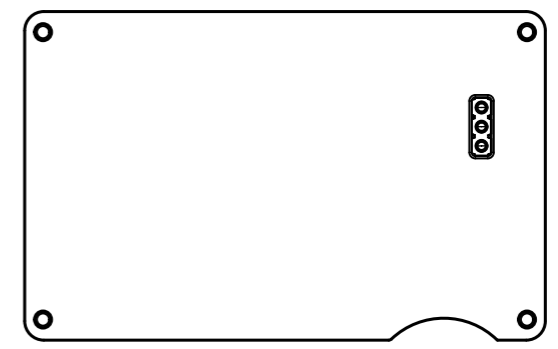
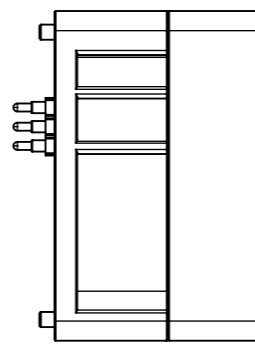
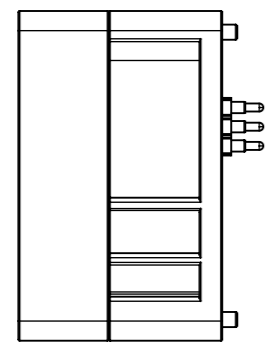
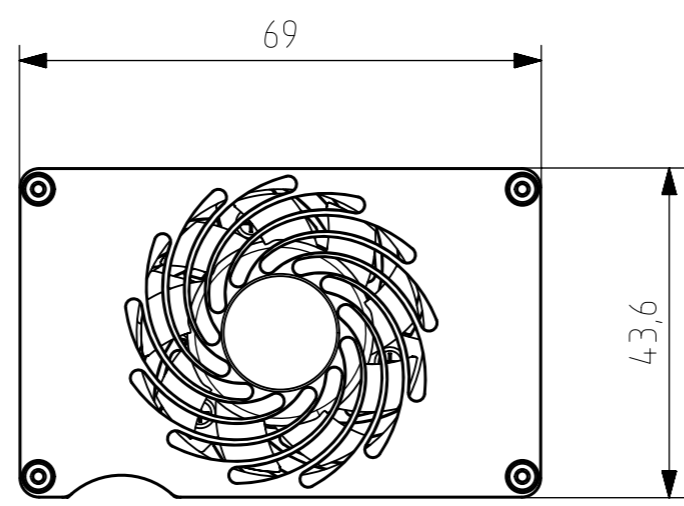
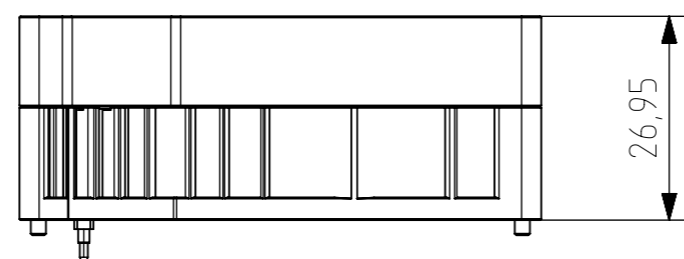
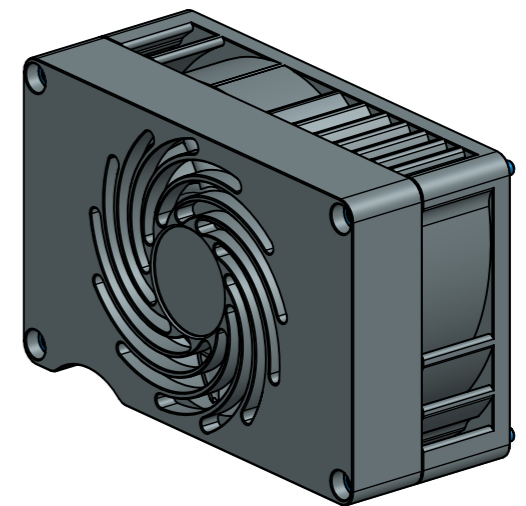
B

C

D

E

F



Designed	-	Name: R&D	PN: ADPT-MX-MTP-FAN-COOLER	Customer PN:	Surface Quality:
Drawn	20220603	GS		Material:	Surface Finish:
Approved			PN MFG	<small>First angle projection</small> 	Weight:
QC					Units: mm
MFGP				Doc Type: EU	Page: 1 of 1
Department: R&D	Default tolerances:		Change Date Name	PART REVISION	DOCUMENT REVISION

This drawing is the property of XIMEA s.r.o. No use thereof shall be made other than as a reference for proposals as submitted to XIMEA s.r.o. for jobs to be executed in conformity with such proposals unless the consent of said XIMEA s.r.o. has previously been obtained. No part of this drawing shall be copied or duplicated or its contents disclosed. The information contained in this drawing is confidential and proprietary.



1 2 3 4 5 6 7 8 A3