

1 2 3 4 5 6 7 8

A

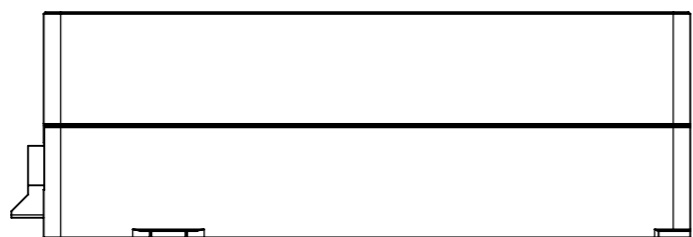
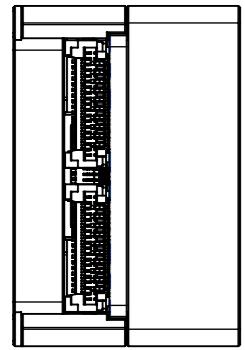
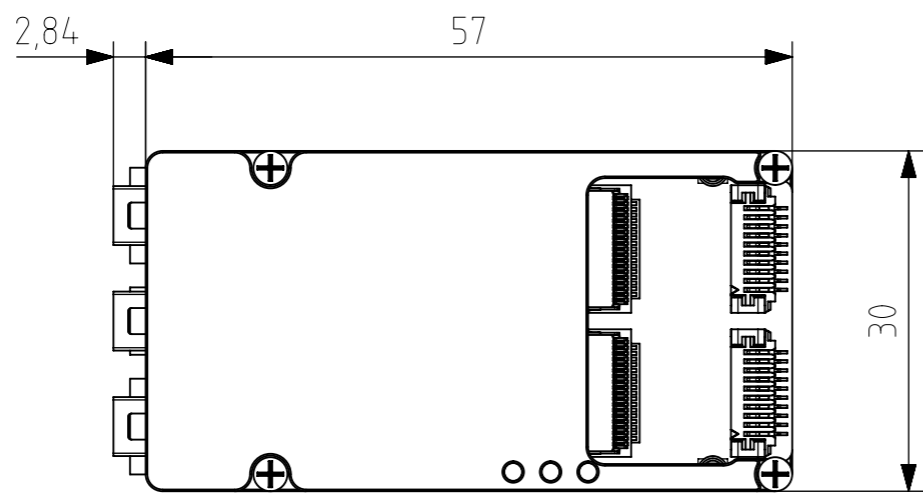
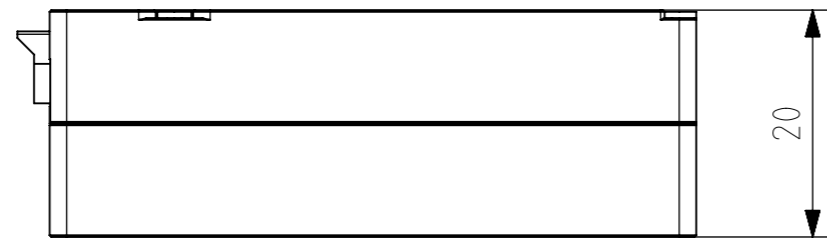
B

C

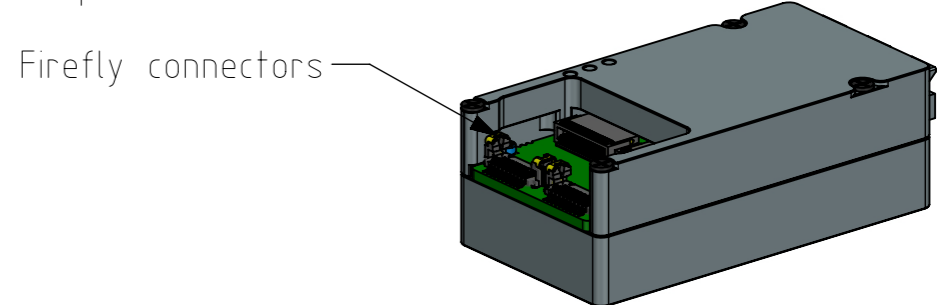
D

E

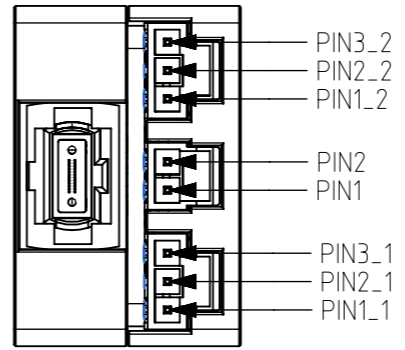
F



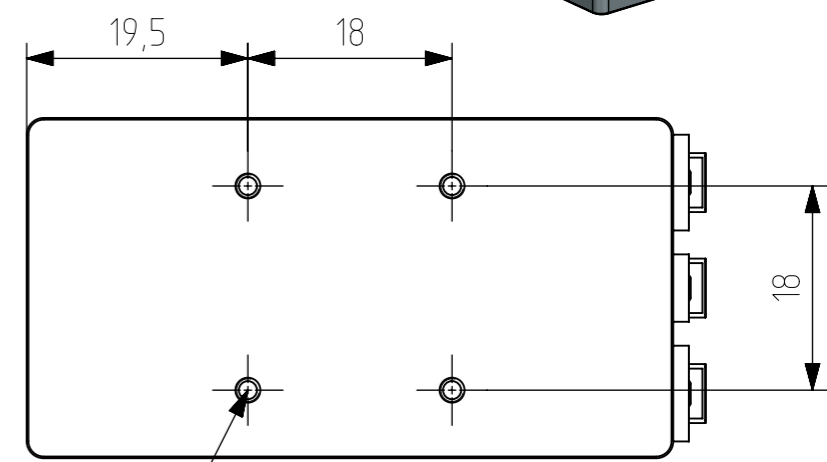
2x NanoFit 3pos IO Connector 1053131203
 NanoFit 2pos Power Connector 1053131202
 MTP optical connector



Firefly connectors



PIN3_2
 PIN2_2
 PIN1_2
 PIN2
 PIN1
 PIN3_1
 PIN2_1
 PIN1_1



4x M2x0,4 ∇ 3

Power connector (2POS)	PIN1	PWR
	PIN2	GND
IO connector 1 (3POS)	PIN1_1	ISO_GPI1
	PIN2_1	ISO_GND
	PIN3_1	ISO_GPO1
IO connector 2 (3POS)	PIN1_2	ISO_GPI2
	PIN2_2	ISO_GND
	PIN3_2	ISO_GPO2

Date:	Name:	PN:	Customer PN:	Surface Quality:
Designed -	R&D	ADPT-2P-X2G3-FF-X4G3-MTP	NA	Ra
Drawn 20212012	GS		Material:	Surface Finish:
Approved		PN MFG	Weight:	
QC				
MFPG				
Department: R&D	Default tolerances:		Units: mm	Scale: A3
		Change Date Name	Doc Type: EU	Format: A3
			PART REVISION	Page: 1 of 1
			DOCUMENT REVISION	A

This drawings is the property of XIMEA s.r.o. No use thereof shall be made other than as a reference for proposals as submitted to XIMEA s.r.o. for jobs to be executed in conformity with such proposals unless the consent of said XIMEA s.r.o. has previously been obtained. No part of this drawing shall be copied or duplicated or its contents disclosed. The information contained on this drawing is confidential and proprietary.

1 2 3 4 5 6 7 8 A3