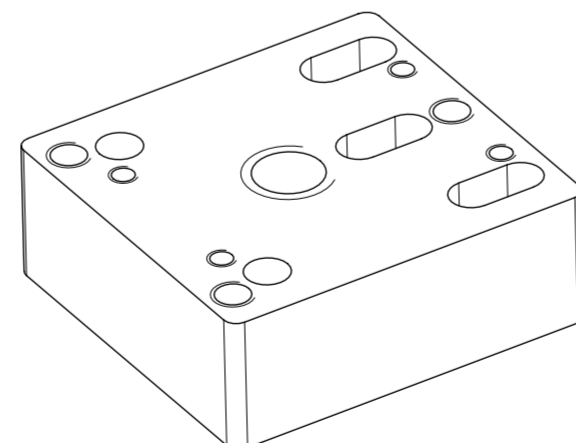
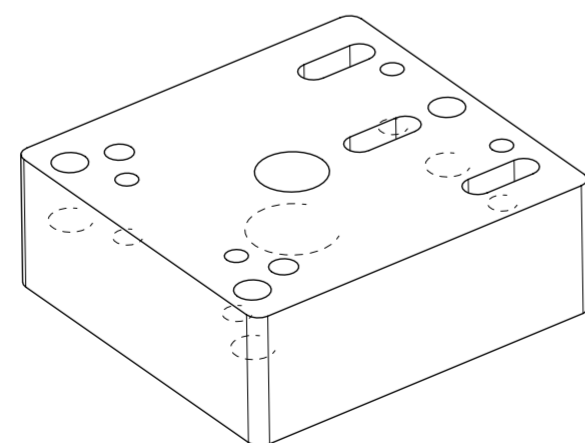
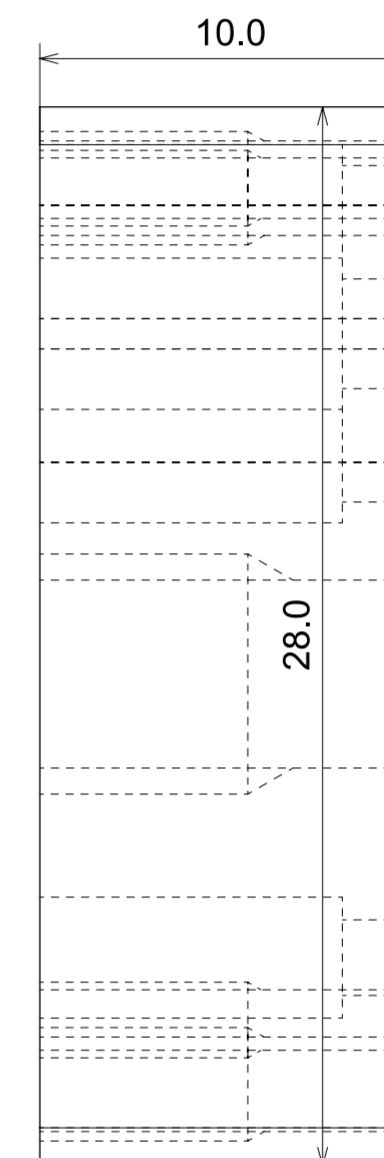
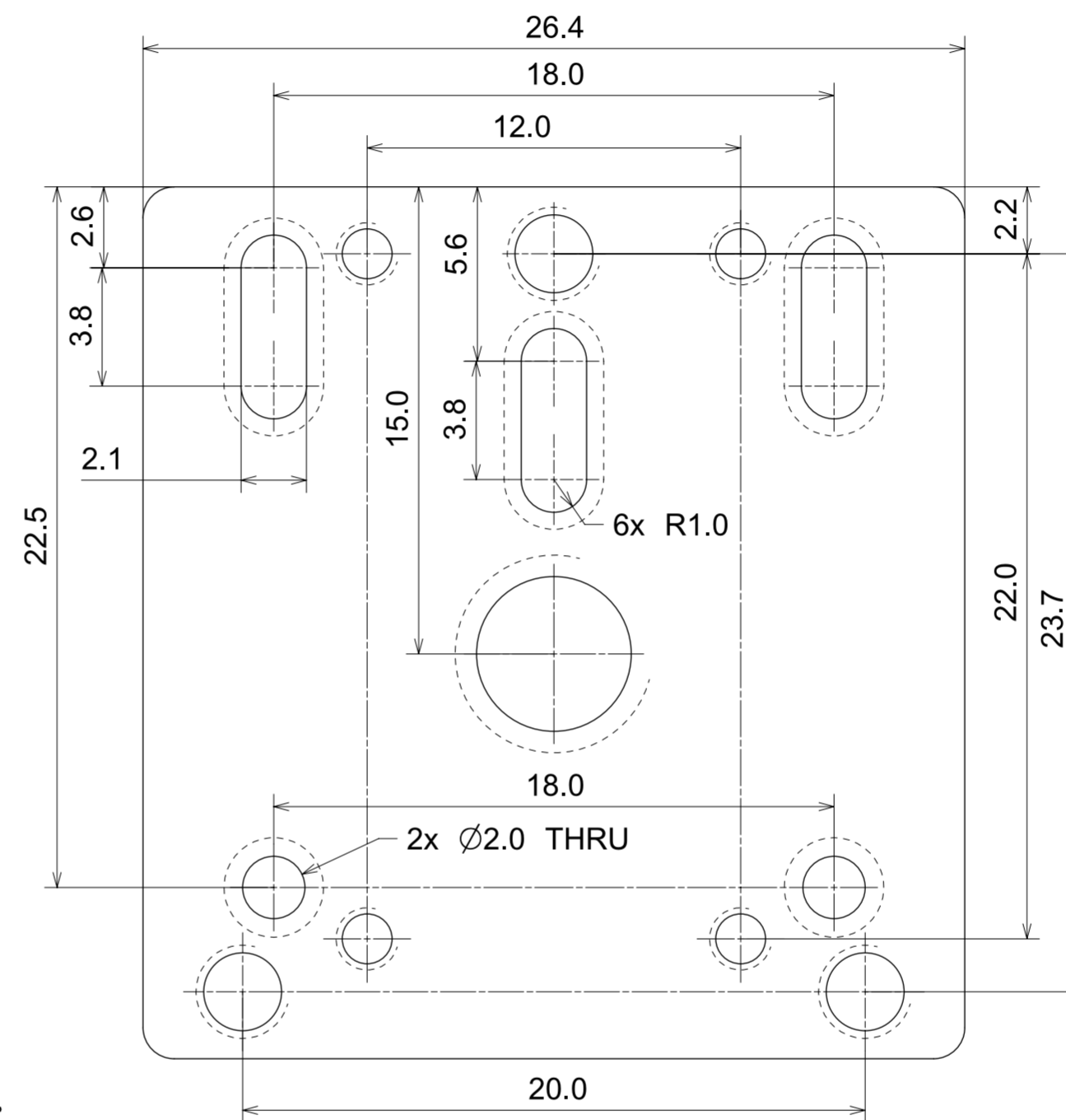
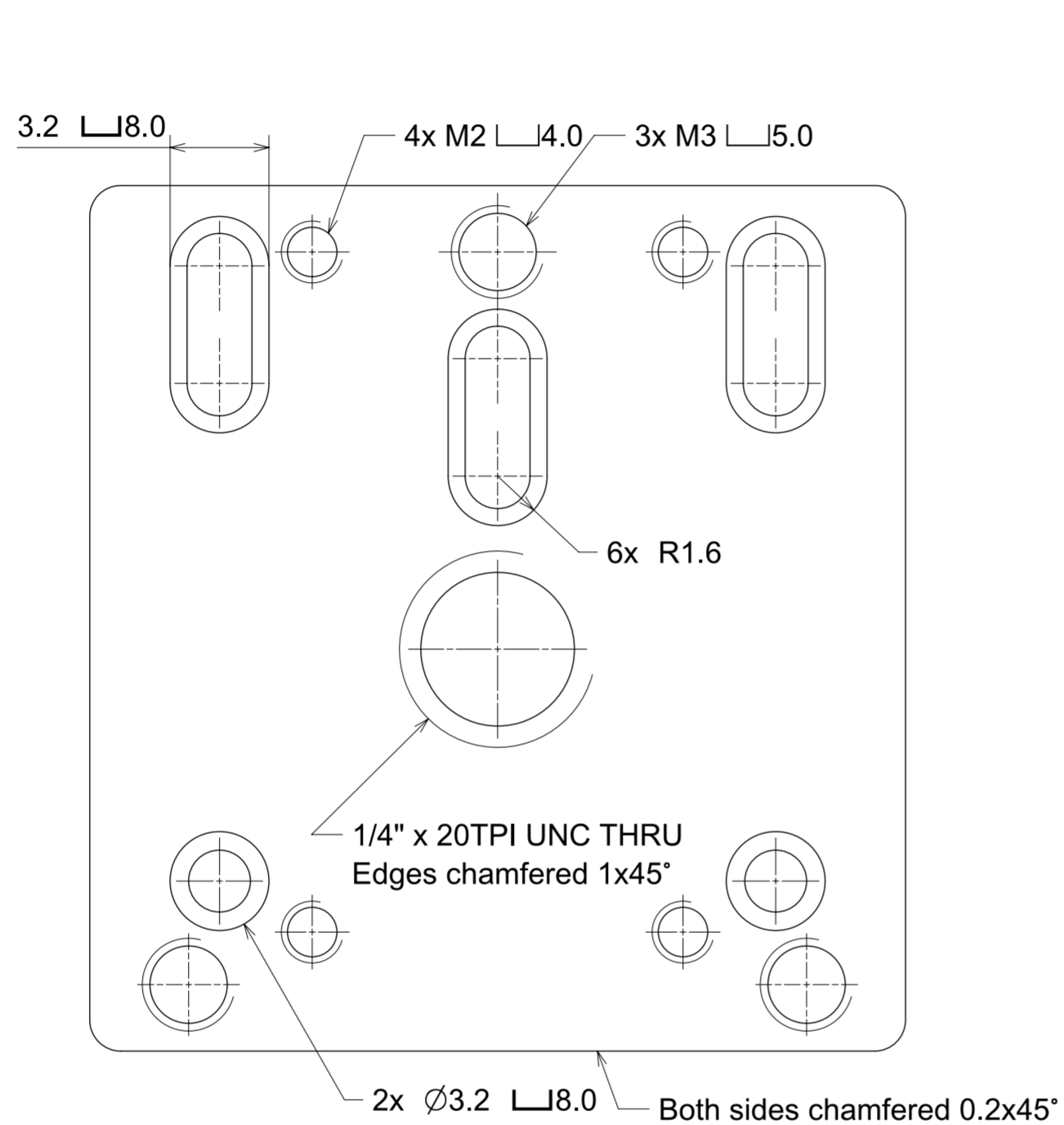


This drawing is the property of XIMEA. No use thereof shall be made other than as a reference for proposals as submitted to XIMEA for jobs to be executed in conformity with such proposals unless the consent of XIMEA has previously been obtained. No part of this drawing shall be copied or duplicated or its contents disclosed. Information contained on this drawing is confidential and proprietary.



NOTES										
Note 1:	All threads milled, entry edges chamfered									
Note 2:	All unassigned edges chamfered 0.1x45°									
Note 3:	All threaded holes chamfered 0.25x45°									
Note 4:										
Note 5:										
Designed	2014.09.29	SPANO	PN:	MECH-MQ-BRACKET-T-THICK		Customer PN:	NA		Surface Quality:	Ra 3.2
Drawn	20160305	SPANO	Project Class	MQ XX XX		Material:	ENAW6061		Surface Finish:	Black Anodized
Approved	20160305	SPANO	Part Level			Weight:	17 g		Format	A3
QC	20160305	SPANO	Units:	mm		Scale:	5:1		Page:	1 of 1
MFGP	20160305	SPANO	Doc Type:	MFG		Version:	1.0		Revision:	
Department:	R&D	Default Tolerances:	ISO2768-f		Change	Date	Name	Part Doc:	DRW-MQ-BRACKET-T-THICK	
ximea			Document No:			DRW-MQ-BRACKET-T-THICK			Page:	