

1 2 3 4 5 6 7 8

A A

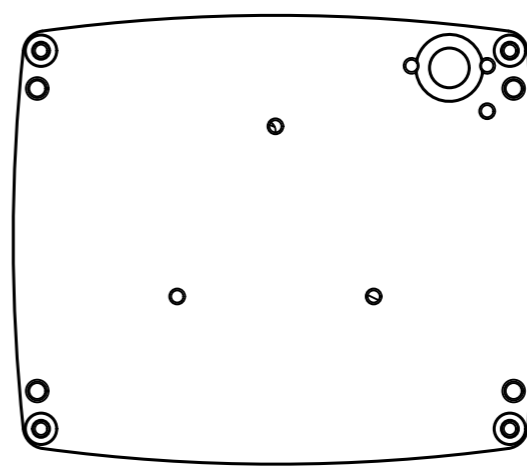
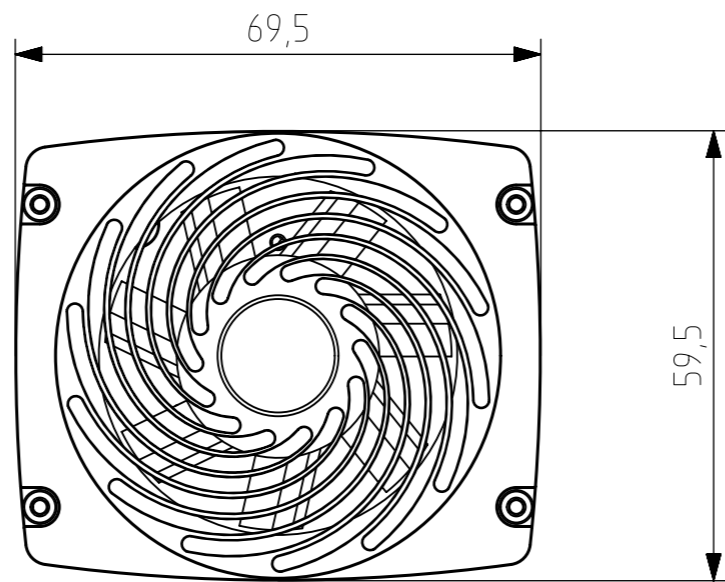
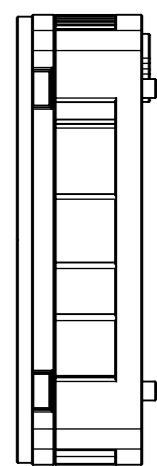
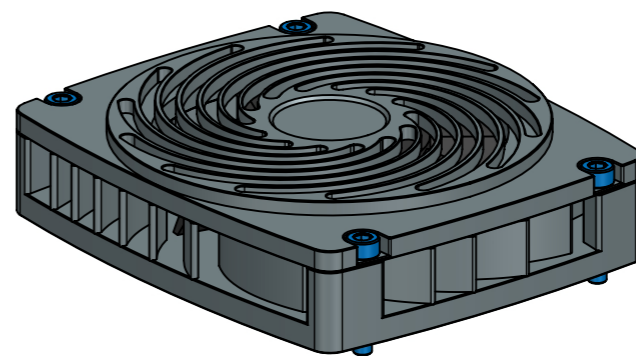
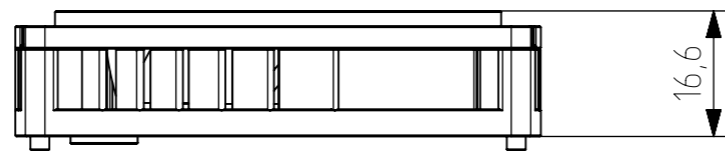
B B

C C

D D

E E

F F



This drawings is the property of XIMEA s.r.o. No use thereof shall be made other than as a reference for proposals as submitted to XIMEA s.r.o. for jobs to be executed in conformity with such proposals unless the consent of said XIMEA s.r.o. has previously been obtained. No part of this drawing shall be copied or duplicated or its contents disclosed. The information contained on this drawing is confidential and proprietary.

Designed	-	GS	PN:	Customer PN:	Surface Quality:
Drawn	20210730	GS	CB-X8G3-FAN-COOLER-KIT	NA	
Approved			PN MFG	Material:	Surface Finish:
QC				First angle projection	Weight:
MFGP					
Department:	R&D	Default tolerances:		Units:	Scale: 2:1
				mm	Format
			Change	Date	Name
				Doc Type:	Page:
				EU	1 of 1
				PART REVISION	DOCUMENT REVISION
				A	A3

1 2 3 4 5 6 7 8 A3