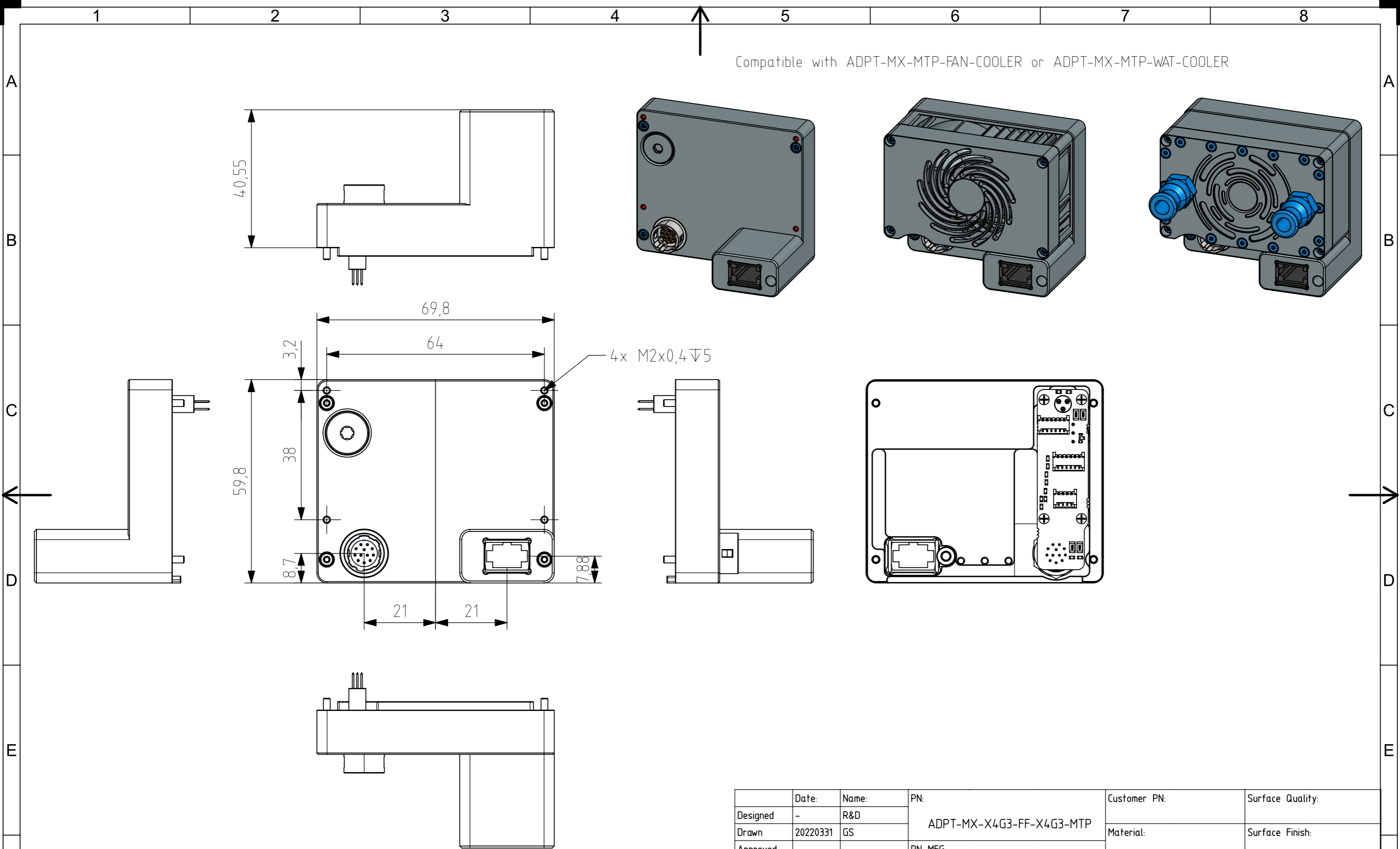


Compatible with ADPT-MX-MTP-FAN-COOLER or ADPT-MX-MTP-WAT-COOLER



This drawing is the property of XIMEA s.r.o. No use thereof shall be made other than as a reference for proposals as submitted to XIMEA s.r.o. for jobs to be executed in conformity with such proposals unless the consent of said XIMEA s.r.o. has previously been obtained. No part of this drawing shall be copied or duplicated or its contents disclosed. The information contained in this drawing is confidential and proprietary.

	Date:	Name:	PN:	Customer PN:	Surface Quality:
Designed	-	R&D	ADPT-MX-X4G3-FF-X4G3-MTP	Material:	Surface Finish:
Drawn	20220331	GS			
Approved			PN MFG	<small>First angle projection</small> 	Weight:
QC					
MFGP					
Department:	R&D	Default tolerances:		Units:	Scale: 1:1
				mm	Format
					A3
				Doc Type:	Page:
				EU	1 of 1
				PART REVISION	DOCUMENT REVISION

