

1 2 3 4 5 6 7 8

A

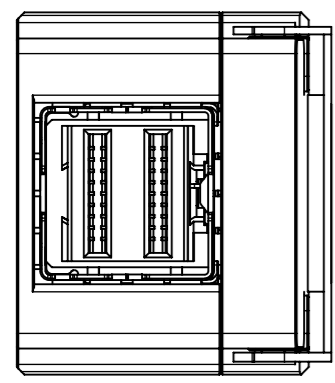
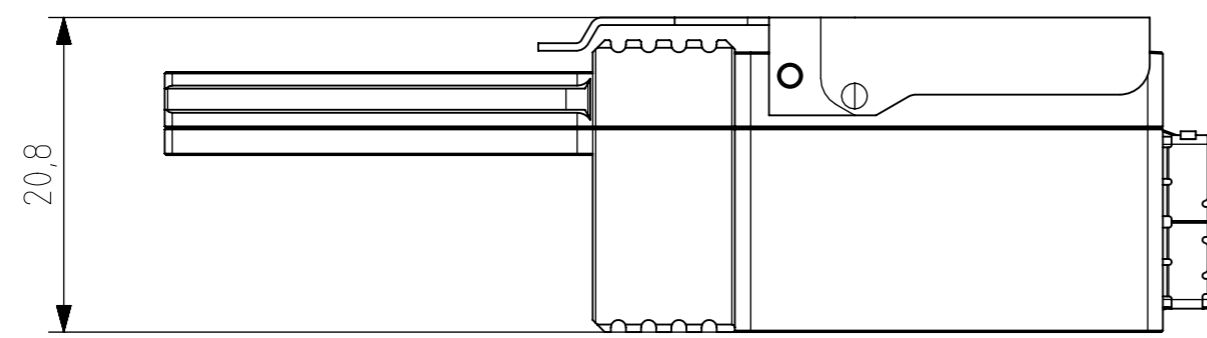
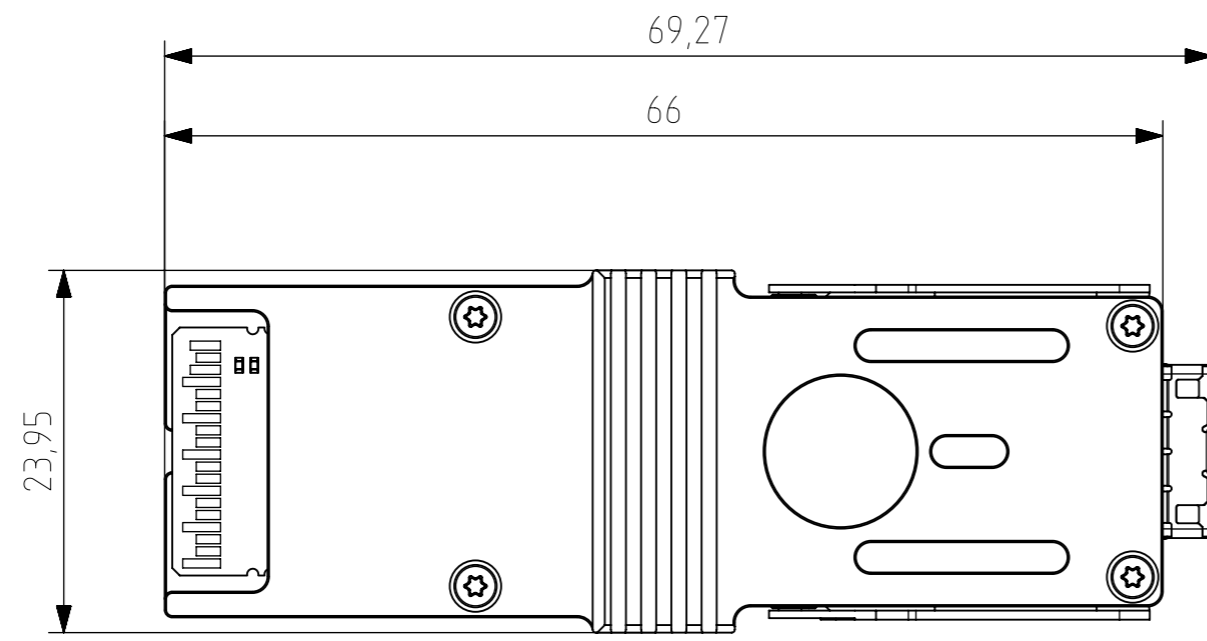
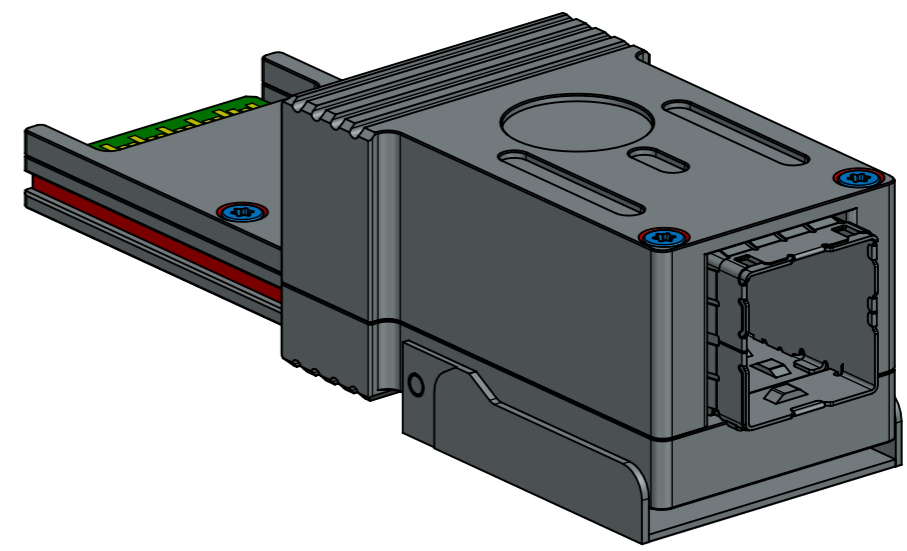
B

C

D

E

F



Date:	Name:	PN:	Customer PN:	Surface Quality:
Designed	GS	XC-X4G3-SFF-X4G3-IPASS	NA	Ra
Drawn	20221104		GS	Material:
Approved		PN MFG		optical black
QC			First angle projection	Weight:
MFGP				
Department:	R&D	Default tolerances:		Units:
			mm	
			Doc Type:	Format
			EU	A3
			PART REVISION	DOCUMENT REVISION
				Page:
				1 of 1

This drawing is the property of XIMEA s.r.o. No use thereof shall be made other than as a reference for proposals as submitted to XIMEA s.r.o. for jobs to be executed in conformity with such proposals unless the consent of said XIMEA s.r.o. has previously been obtained. No part of this drawing shall be copied or duplicated or its contents disclosed. The information contained in this drawing is confidential and proprietary.



1 2 3 4 5 6 7 8