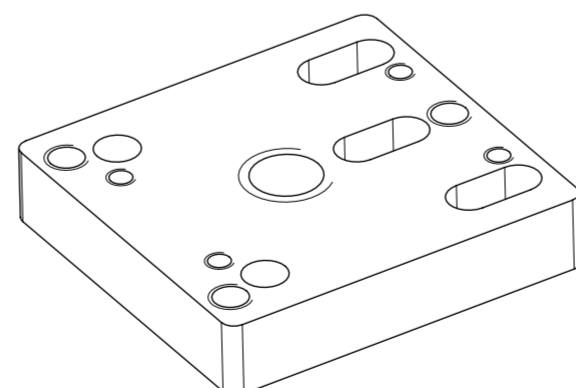
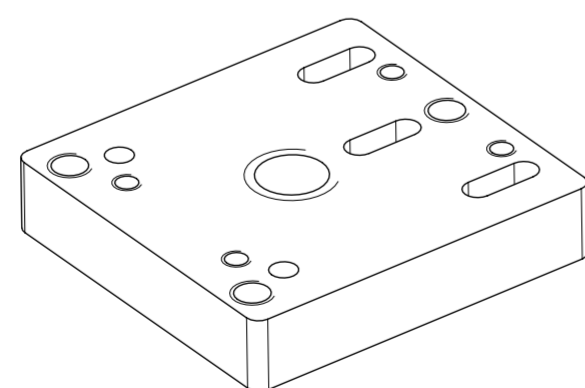
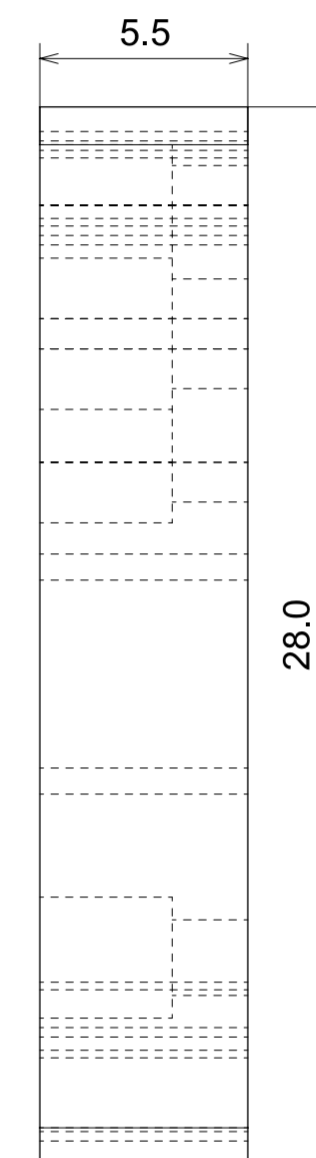
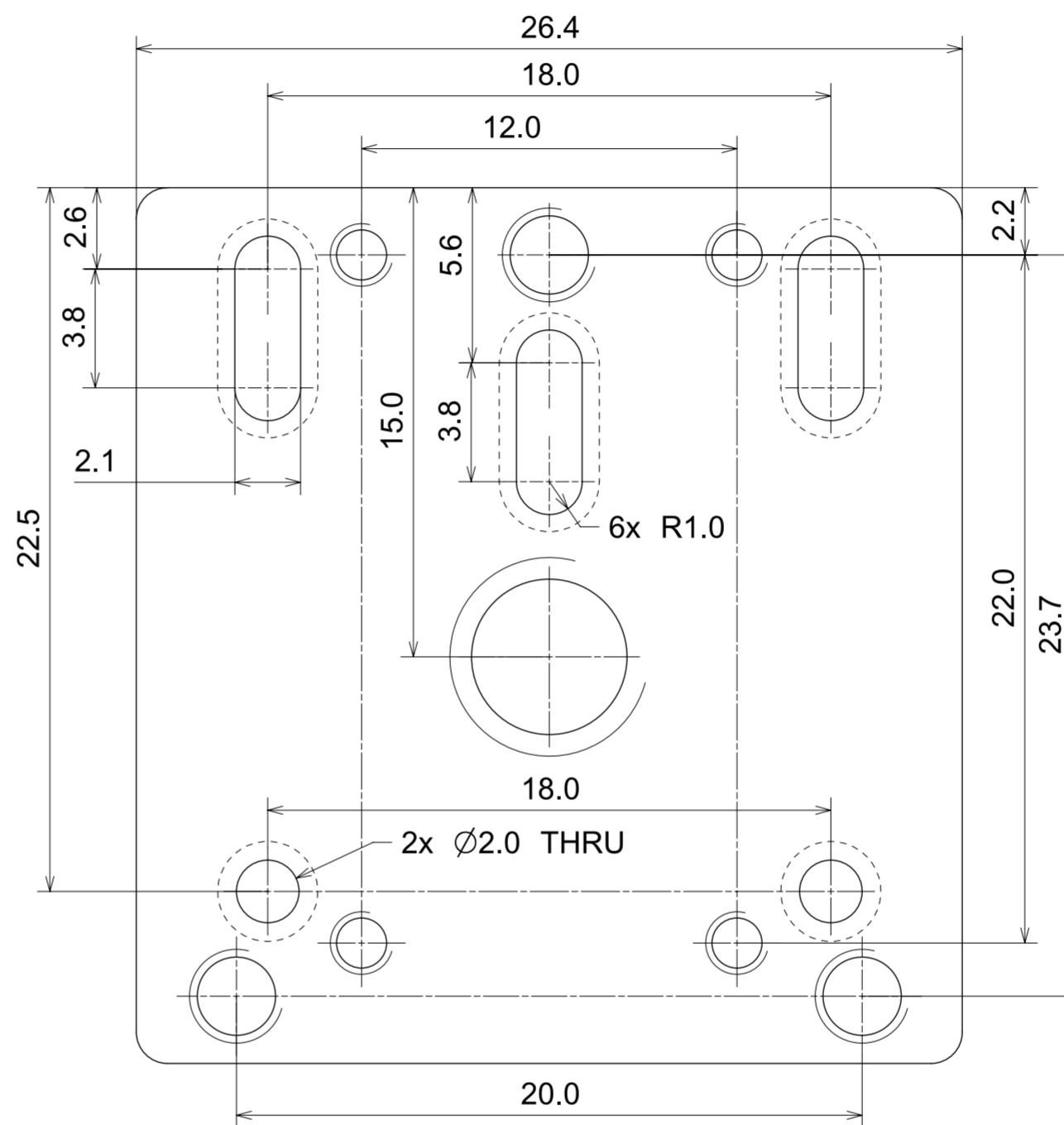
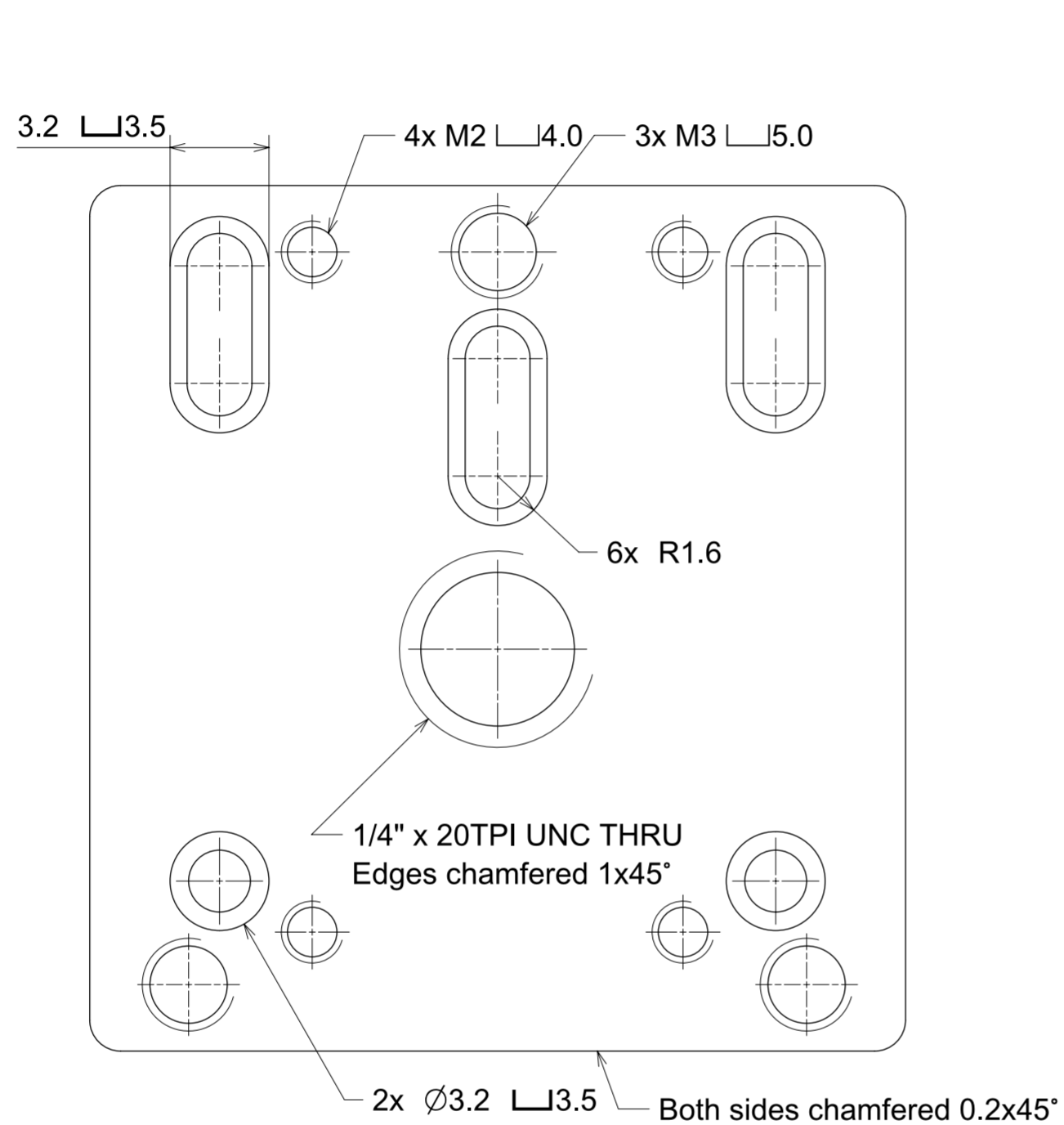


This drawing is the property of XIMEA. No use thereof shall be made other than as a reference for proposals as submitted to XIMEA for jobs to be executed in conformity with such proposals unless the consent of XIMEA has previously been obtained. No part of this drawing shall be copied or duplicated or its contents disclosed. Information contained on this drawing is confidential and proprietary.



NOTES

Note 1:	All threads milled, entry edges chamfered
Note 2:	All unassigned edges chamfered 0.1x45°
Note 3:	All threaded holes chamfered 0.25x45°
Note 4:	
Note 5:	

Designed	20160305	SPANO	MECH-MQ-BRACKET-T Project Class MQ Top Level Assembly	Customer PN	NA	Surface Quality	Ra 32
Drawn	20160305	SPANO		Material:	ENAW6061	Surface Finish:	Black Anodized
Approved	20160305	SPANO		Weight:	9,4 g		
QC	20160305	SPANO		Units:	mm	Scale:	5:1
MFGP	20160305	SPANO		Format:	A3		
Department:	R&D	Default Tolerances:	ISO2768-f	Document Nr.:	DRW-MQ-BRACKET-T	Doc. Type:	MFG
				Part Doc.:		Version/Revision:	1.0
				Page:			1 of 1