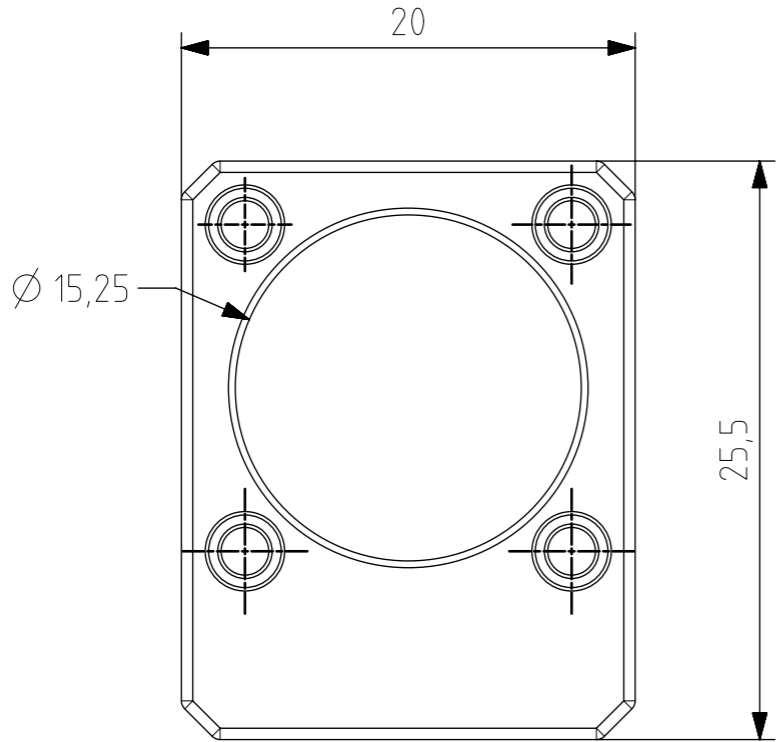


1/4-20 UNC Thru
chamfered 0,7x45°



Date:	Name:	PN:	Customer PN:	Surface Quality:
-	R&D	ME-ADPT-MU-17x17-T	NA	Ra 0.8
Drawn	GS	Project Class	Material:	Surface Finish:
20230717			ENAW6061	OPTICAL BLACK
Approved		Top Level Assembly	First angle projection	Weight:
QC				
MFGP			Units:	Scale:
Department:	Default tolerances:	Change	Date	Name
R&D	ISO2768-f			
			Doc Type:	Page:
			EU	1 of 1

This drawing is the property of XIMEA GmbH. No use thereof shall be made other than as a reference for proposals as submitted to XIMEA GmbH for jobs to be executed in conformity with such proposals unless the consent of said XIMEA GmbH has previously been obtained. No part of this drawing shall be copied or duplicated or its contents disclosed. The information contained in this drawing is confidential and proprietary.